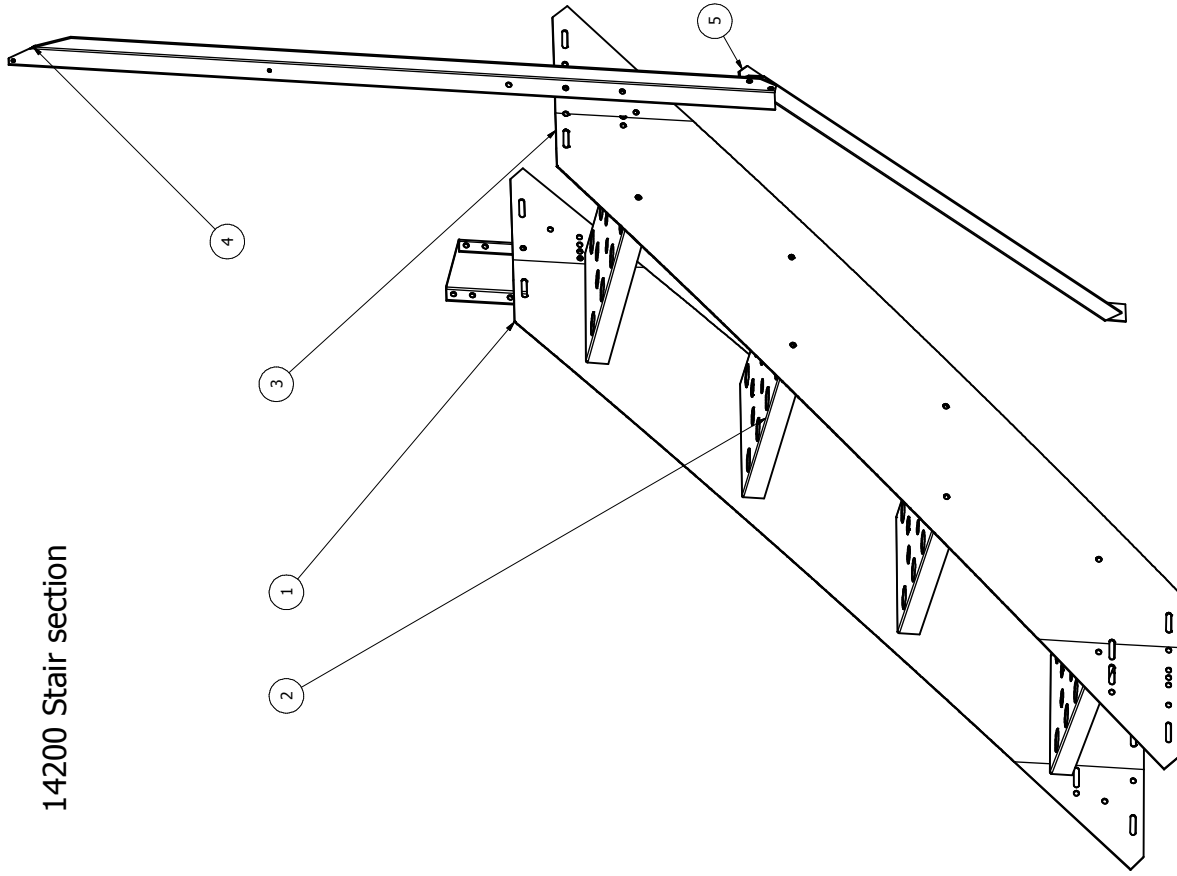


14200 Stair section



| Parts List | | | |
|------------|-----|--------------------------|-------------|
| ITEM | QTY | PART NUMBER | DESCRIPTION |
| 1 | 1 | 2442 42 inside siderail | |
| 2 | 4 | 2602 Step | |
| 3 | 1 | 2452 42 outside siderail | |
| 4 | 1 | 2204 baluster post | |
| 5 | 1 | 2217 42 knee brace | |
| 6 | 2 | 2883 handrail | |
| 7 | 1 | 2205 Wall Bracket | |
| 8 | 1 | 2205 Wall Bracket | |

| | | | |
|-----------------------|----------|--|-------------------------------|
| DRAWN Rex A Greene | 8/7/2006 | Greene Welding and Hardware Inc. Greene Galvanized Stairs 217/375/4244 www.greenebstairs.com | |
| MFG | | TITLE | |
| APPROVED | | SIZE C | DWG NO 14200 Stair section |
| | | REV | 1 |