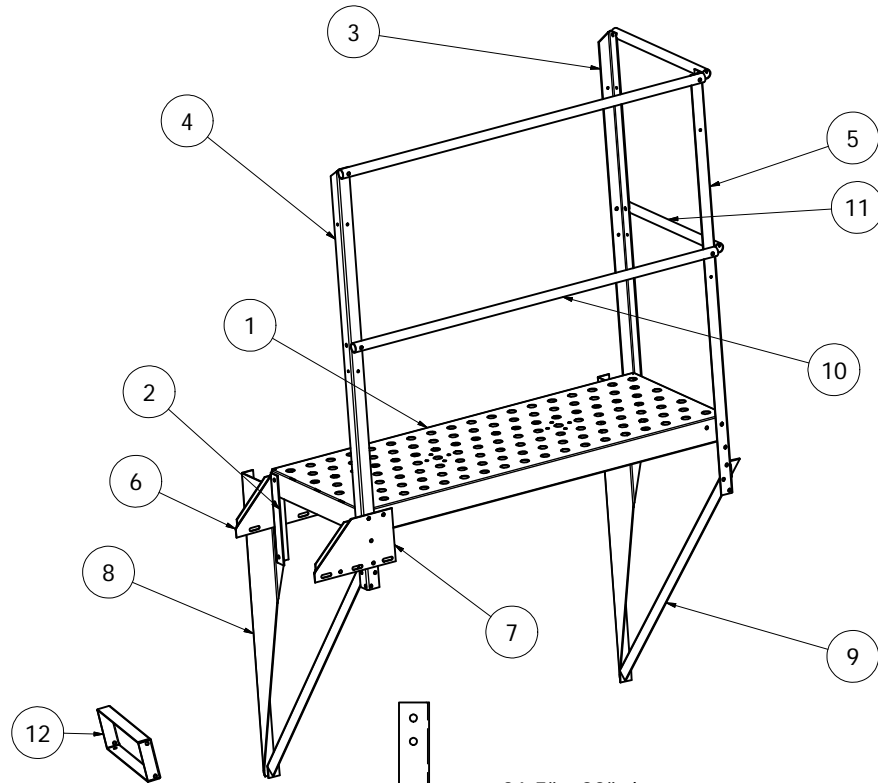
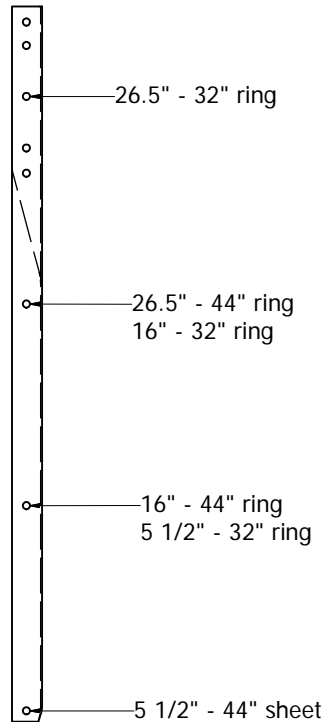


35100 Long stair platform



The platform will be one of these heights when the platform wall bracket is placed on the first horizontal seam in one of these holes.

There are 5 bolts spaces between wall brackets. 47"



Parts List			
ITEM	QTY	PART NUMBER	STOCK NUMBER
1	1	4602 48 in platform deck	49.6 x 20 x 16 ga skin
2	1	4205 Plat Short Post	11 x 1.5 x 1.5 x 14 ga L
3	1	4206 Plat Right Post	51.5 x 1.5 x 1.5 x 12 ga L
4	1	4208 Plat Left Post	51.5 x 1.5 x 1.5 x 12 ga L
5	1	4207 Plat Corner Post	51.5 x 1.5 x 1.5 x 12 ga L
6	1	4412 inside ext	11 x 6.5 x 14 ga
7	1	4402 Outside Ext	11 x 6.5 x 14 ga
8	2	4401 Plat Wall Bracket	37.25 x 1.5 x 6 x 1.5 x 14 ga C
9	2	2208 44 Kneebrace	42.5 x 3 x 12 ga
10	2	4883 Plat side handrail 48	49.5 x 1 id
11	2	4809 Plat Handrail Short	20 x 1 id
12	1	2442 Bottom Brace Bracket	20 x 4.5 x 14 ga box
13	1	35000 hardware pack	

DRAWN	4/16/2008	Greene Welding and Hardware Inc.		
<b>Rex A Greene</b>		<b>Greene Galvanized Stairs</b>		
		TITLE <b>217/375/4244</b>		
		www.greenebinstairs.com		
MFG				
APPROVED		SIZE	DWG NO	REV
		C	35100 stair plat 48	
SHEET 1 OF 1				