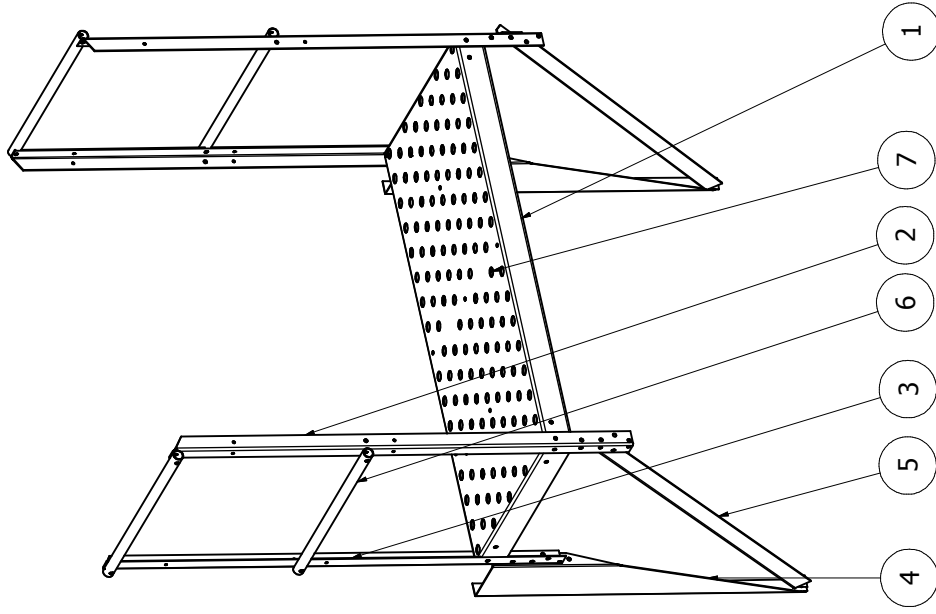


37500 Twin Platform



Parts List

ITEM	QTY	PART NUMBER	DESCRIPTION
1	1	4651 Plat skin	
2	2	4206 Plat Right Post	
3	2	4208 Plat Left Post	
4	2	4401 Plat Wall Bracket	
5	2	4210 Knee brace	
6	4	4810 Platform End handrail 24	
7	1	4215 deck brace	

DRAWN Rex A Greene 6/19/2006		Greene Welding and Hardware Inc.	
TITLE 2177375/4244		Greene Galvanized Stairs	
MFG		www.greeneinstairs.com	
APPROVED		SIZE C	REV
		DWG NO 37500 Twin Platform	SHEET 1 OF 1