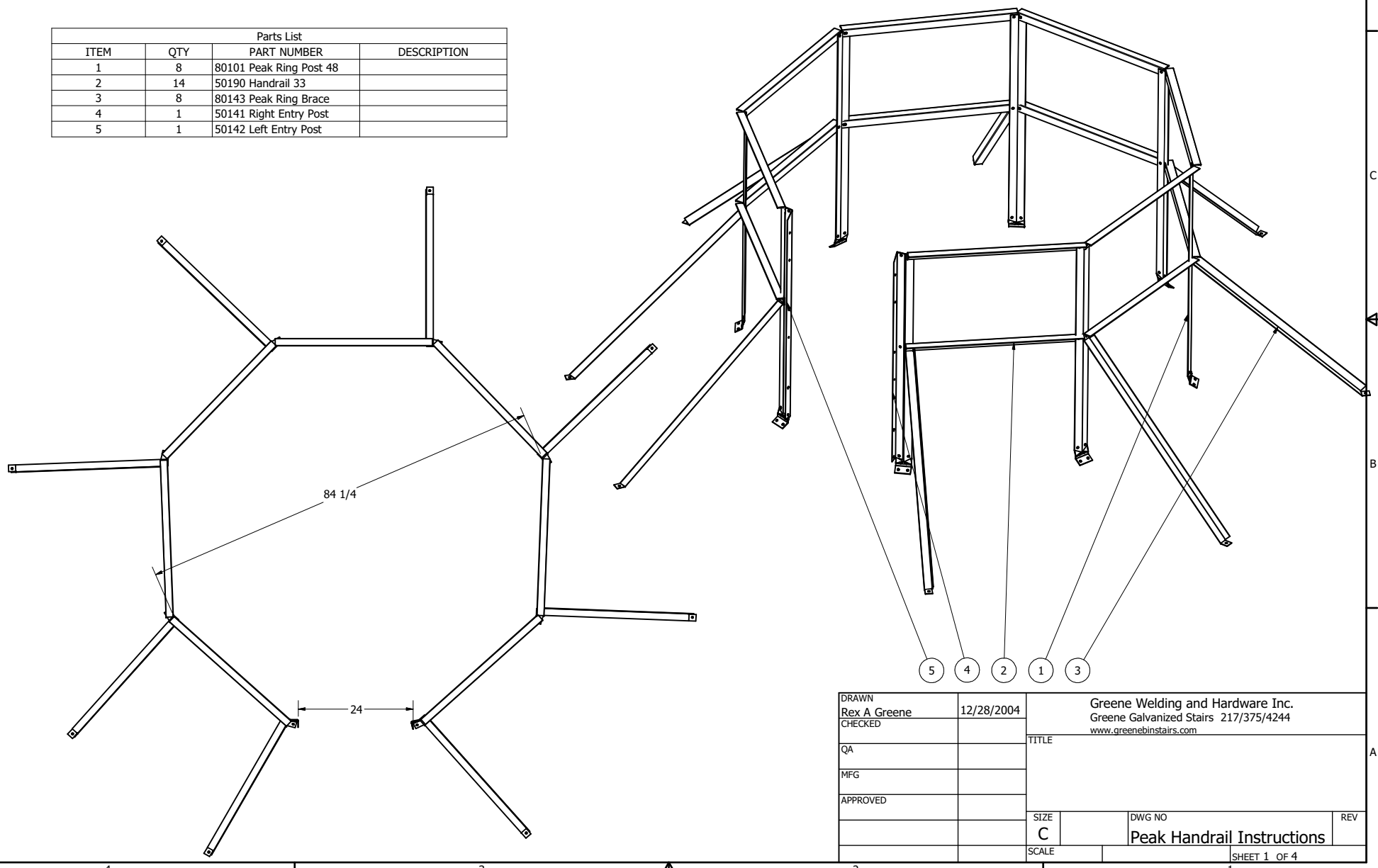


# 50070 7' Peak Handrail 8 section



| Parts List |     |                         |             |
|------------|-----|-------------------------|-------------|
| ITEM       | QTY | PART NUMBER             | DESCRIPTION |
| 1          | 8   | 80101 Peak Ring Post 48 |             |
| 2          | 14  | 50190 Handrail 33       |             |
| 3          | 8   | 80143 Peak Ring Brace   |             |
| 4          | 1   | 50141 Right Entry Post  |             |
| 5          | 1   | 50142 Left Entry Post   |             |

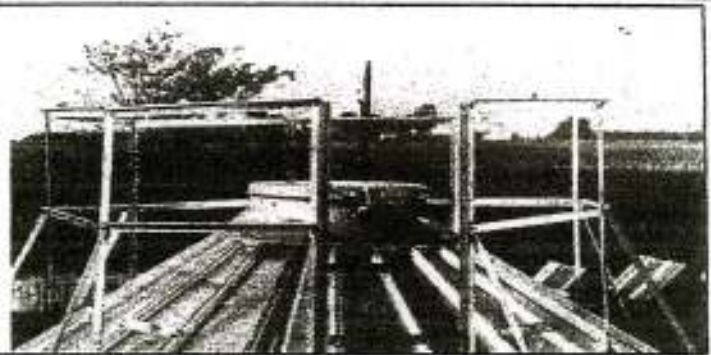


|                        |  |            |  |  |  |
|------------------------|--|------------|--|--|--|
| DRAWN<br>Rex A. Greene |  | 12/28/2004 |  | Greene Welding and Hardware Inc.<br>Greene Galvanized Stairs 217/375/4244<br>www.greenebinstairs.com |  |
| CHECKED                |  |            |  | TITLE  |  |
| QA                     |  |            |  | SIZE   |  |
| MFG                    |  |            |  | C  |  |
| APPROVED               |  |            |  | DWG NO   |  |
|                        |  |            |  | Peak Handrail Instructions   |  |
|                        |  |            |  | REV  |  |
|                        |  |            |  | SCALE  |  |
|                        |  |            |  | SHEET 1 OF 4   |  |

# GREENE

WELDING & HDW., INC.

BOX 191 • EAST LYNN, IL 62932 • 217-375-4244



## Peak Handrail Assembly

Refer to plan view of bin roof in Figure 2.

- Step 1: Attach right entry post 50141 with beveled end up to a handrail post 80101, using (3) 5/16" x 3/4" bolts. Refer to Figure 3.
- Step 2: Attach left entry post 50142 with beveled end up to a handrail post 80101 using (3) 5/16" x 3/4" bolts. Refer to Figure 3.
- Step 3: Centered on the roof stairs or ladder, locate and fasten the left and right Entry Post Assembly 24" apart. The entry posts must be located 4'11" from the center of the bin on the 10' diameter handrail and 6'6 3/4" from the center of the bin on the 13 1/2' diameter handrail. Use \*TEK SCREWS for this operation.
- Step 4: Assemble one end of a lower handrail 10189 and one end of a brace 80143 to one of the handrail post assemblies with a 5/16" x 3/4" bolt as shown in Figure 2. **Note: When roof stairs are used, omit brace on entry post.**
- Step 5: Locate the next handrail post 80101 on the appropriate handrail radius using a chord length of 42" or the length of a handrail. **Note: Radius for a 10' diameter handrail is 4'11". Radius for a 13 1/2' diameter handrail is 6'6 3/4".**
- Step 6: Fasten the posts to the bin roof with \*TEK SCREWS.
- Step 7: Proceed around the handrail diameter to assemble the remaining posts and upper and lower handrails, and the remaining braces.
- Step 8: Plumb each handrail post and fasten the loose end of each brace to the roof with a \*TEK SCREW.

**Caution: Do Not Over Tighten Tek Screws.**

\*TEK SCREW: A self-drilling, self-tapping screw.

### Parts List

| 10' | 13'6" | Peak Handrail                       |
|-----|-------|-------------------------------------|
| 16  | 22    | 10189 Handrail 42"                  |
| 1   | 1     | 50141 Right Entry Post 45"          |
| 1   | 1     | 50142 Left Entry Post 45"           |
| 9   | 12    | 80101 Peak Ring Post 48"            |
| 9   | 12    | 80143 Peak Ring Brace 48"           |
| 1   |       | 80010 10' Peak Handrail Hdw. Pkg.   |
|     | 1     | 80011 13'6" Peak Handrail Hdw. Pkg. |

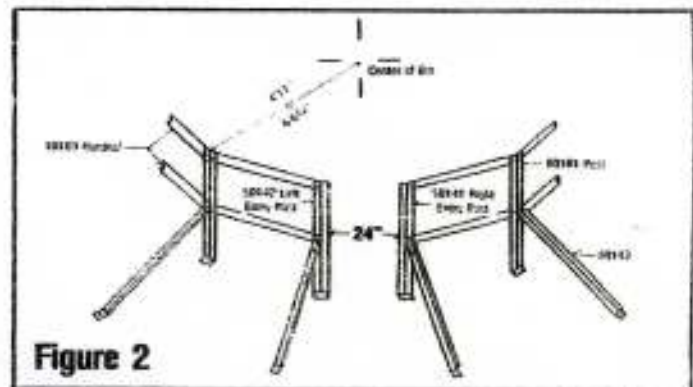


Figure 2

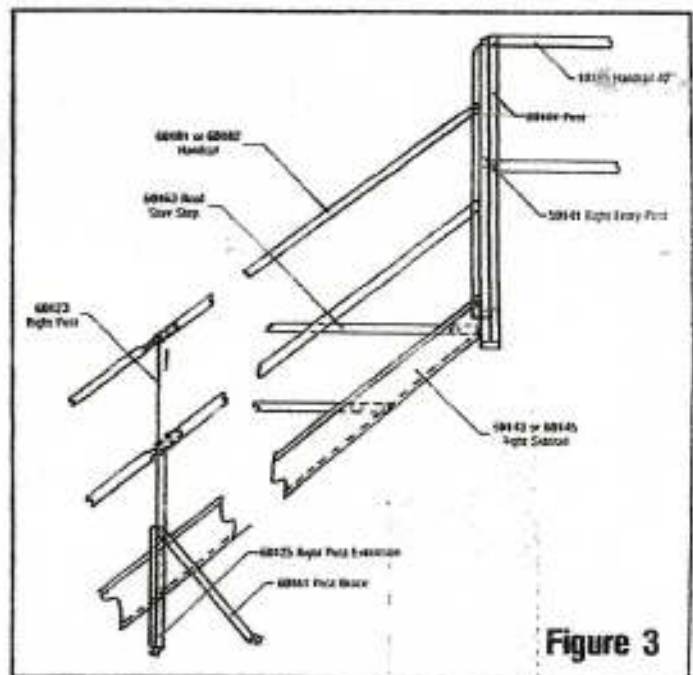


Figure 3