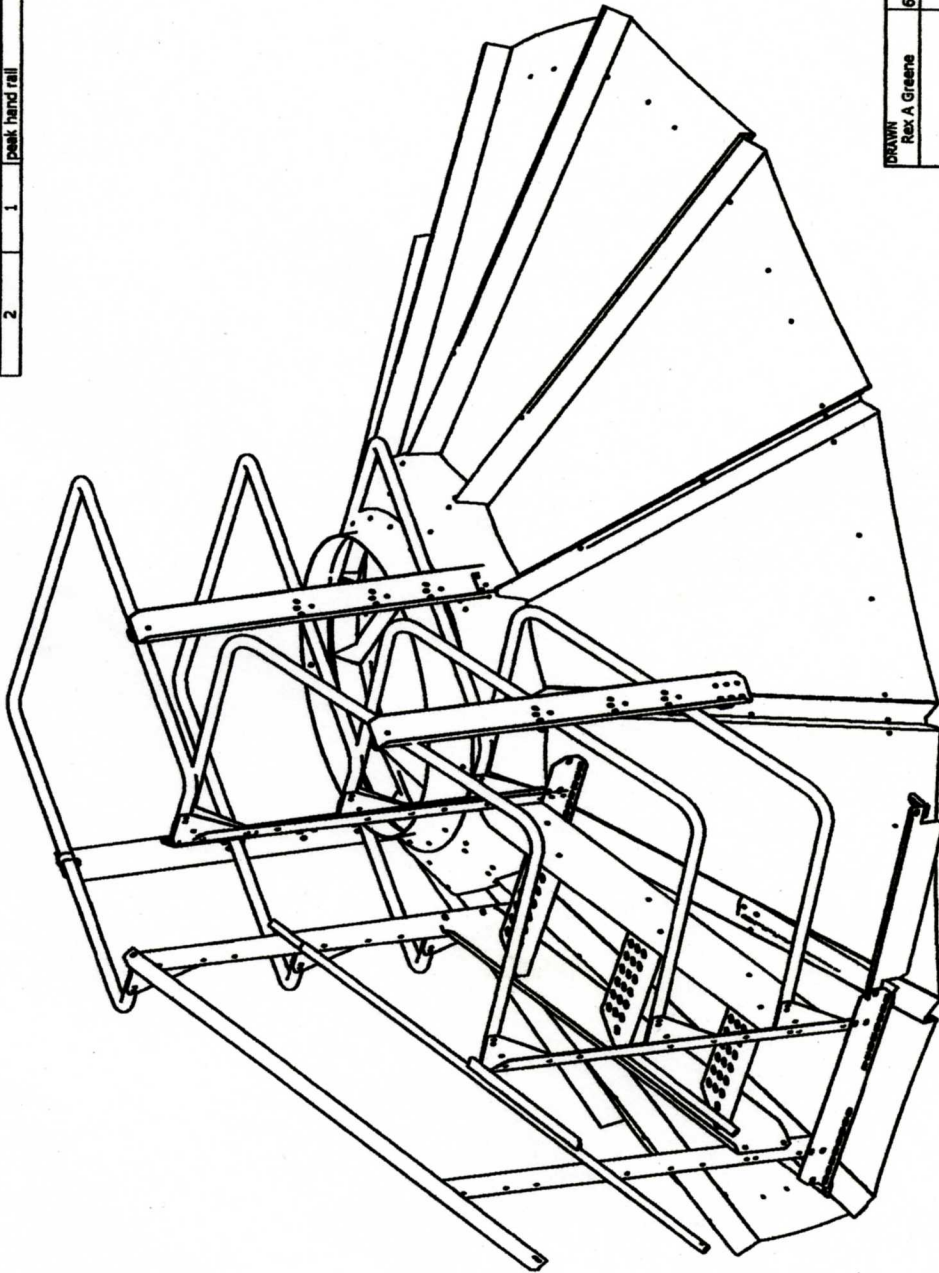


Parts List		
ITEM	QTY	PART NUMBER DESCRIPTION
1	1	3 step starter assem
2	1	peak hand rail



DRAWN	6/2/2006	Greene Welding and Hardware, Inc. Greene Galvanized Stairs 217/375/4244 www.greenehardware.com
REV		TITLE
APPROVED		SIZE
		SIZE
		12' EURO STAIRS
		DRWG NO
		REV
		SHEET 1 OF 1