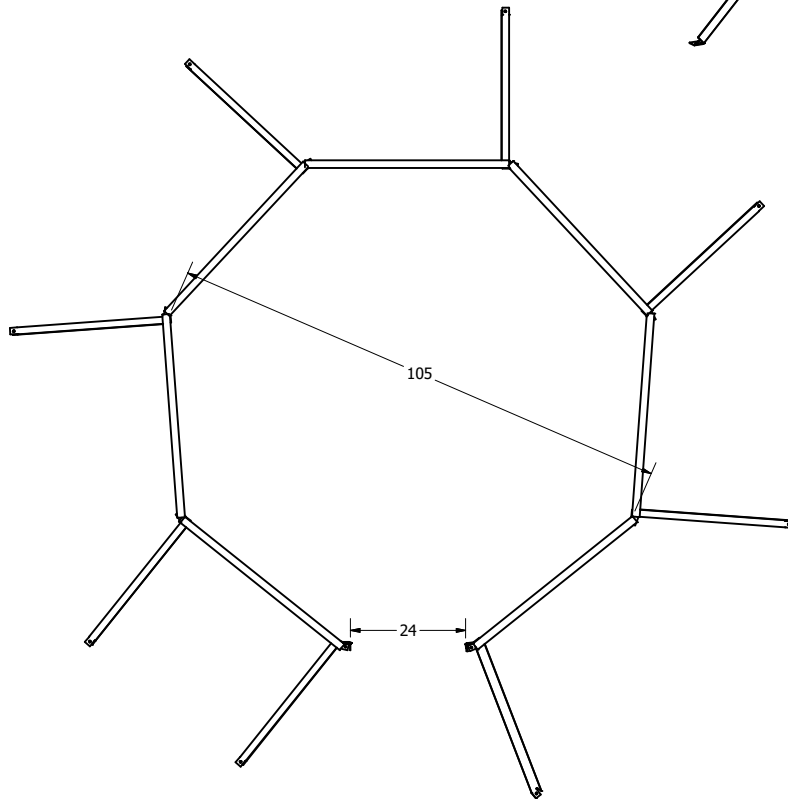
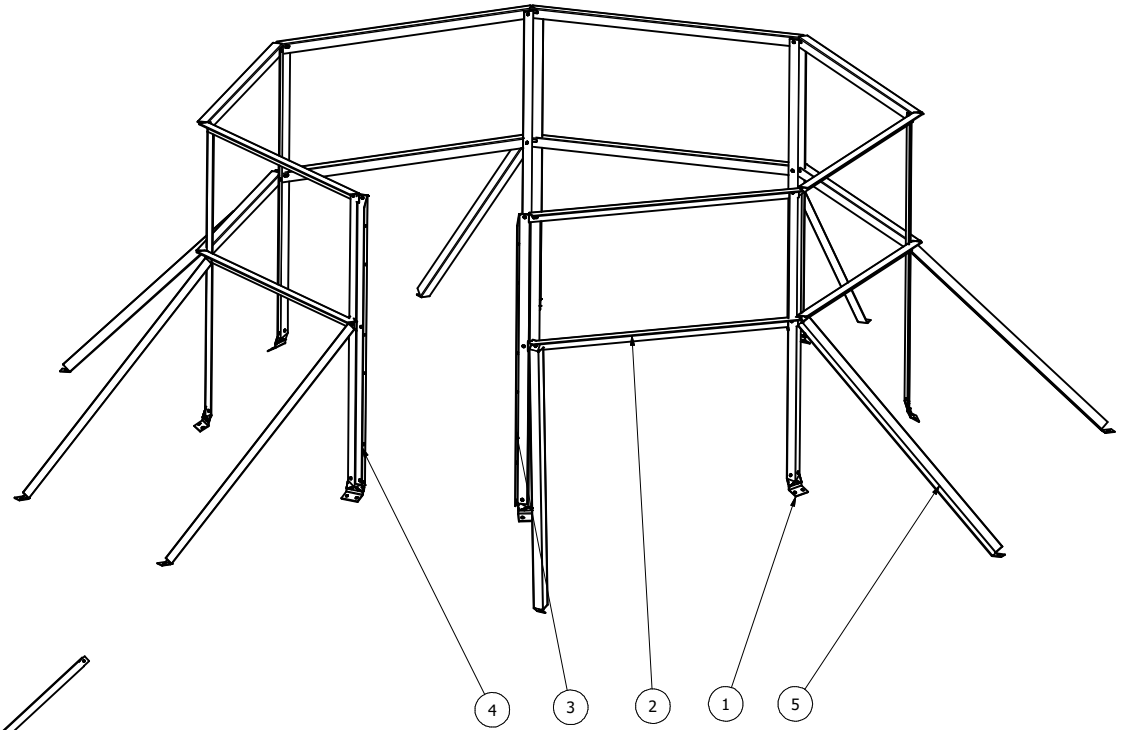


50090 9' Peak Handrail 8 section

Parts List			
ITEM	QTY	PART NUMBER	DESCRIPTION
1	8	80101 Peak Ring Post 48	
2	14	10189 Peak Handrail	
3	1	50141 Right Entry Post	
4	1	50142 Left Entry Post	
5	8	80143 Peak Ring Brace	

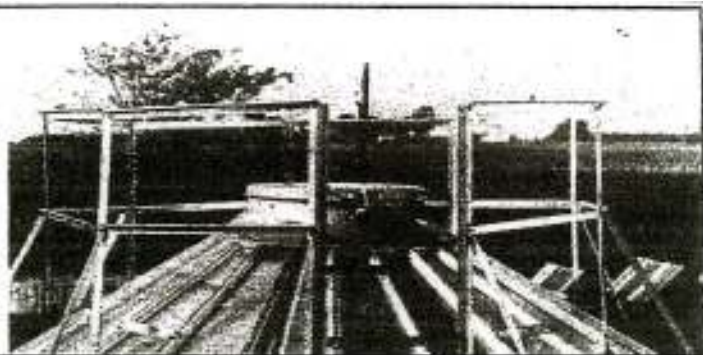


DRAWN Rex A Greene		12/28/2004		Greene Welding and Hardware Inc. Greene Galvanized Stairs 217/375/4244 www.greenebinstairs.com	
CHECKED				TITLE	
QA				Peak Handrail Instructions	
MFG					
APPROVED					
		SIZE C	DWG NO	REV	
		SCALE	SHEET 2 OF 4		

GREENE

WELDING & HDW., INC.

BOX 191 • EAST LYNN, IL 62932 • 217-375-4244



Peak Handrail Assembly

Refer to plan view of bin roof in Figure 2.

- Step 1:** Attach right entry post 50141 with beveled end up to a handrail post 80101, using (3) 5/16" x 3/4" bolts. Refer to Figure 3.
- Step 2:** Attach left entry post 50142 with beveled end up to a handrail post 80101 using (3) 5/16" x 3/4" bolts. Refer to Figure 3.
- Step 3:** Centered on the roof stairs or ladder, locate and fasten the left and right Entry Post Assembly 24" apart. The entry posts must be located 4'11" from the center of the bin on the 10' diameter handrail and 6'6 3/4" from the center of the bin on the 13 1/2' diameter handrail. Use *TEK SCREWS for this operation.
- Step 4:** Assemble one end of a lower handrail 10189 and one end of a brace 80143 to one of the handrail post assemblies with a 5/16" x 3/4" bolt as shown in Figure 2. **Note:** When roof stairs are used, omit brace on entry post.
- Step 5:** Locate the next handrail post 80101 on the appropriate handrail radius using a chord length of 42" or the length of a handrail. **Note:** Radius for a 10' diameter handrail is 4'11". Radius for a 13 1/2' diameter handrail is 6'6 3/4".
- Step 6:** Fasten the posts to the bin roof with *TEK SCREWS.
- Step 7:** Proceed around the handrail diameter to assemble the remaining posts and upper and lower handrails, and the remaining braces.
- Step 8:** Plumb each handrail post and fasten the loose end of each brace to the roof with a *TEK SCREW.

Caution: Do Not Over Tighten Tek Screws.

*TEK SCREW: A self-drilling, self-tapping screw.

Parts List

10'	13'6"	Peak Handrail
16	22	10189 Handrail 42"
1	1	50141 Right Entry Post 45"
1	1	50142 Left Entry Post 45"
9	12	80101 Peak Ring Post 48"
9	12	80143 Peak Brace 48"
1		80010 10' Peak Handrail Hdw. Pkg.
	1	80011 13'6" Peak Handrail Hdw. Pkg.

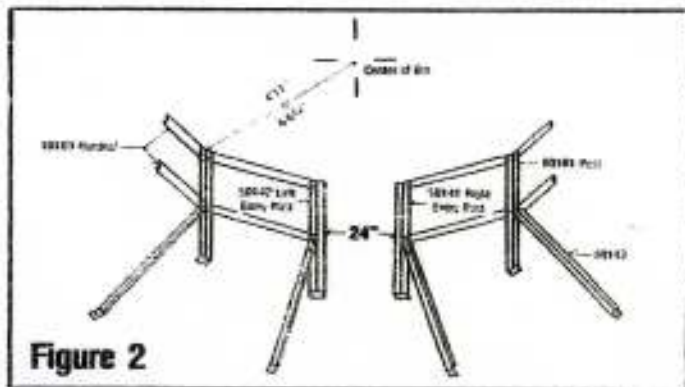


Figure 2

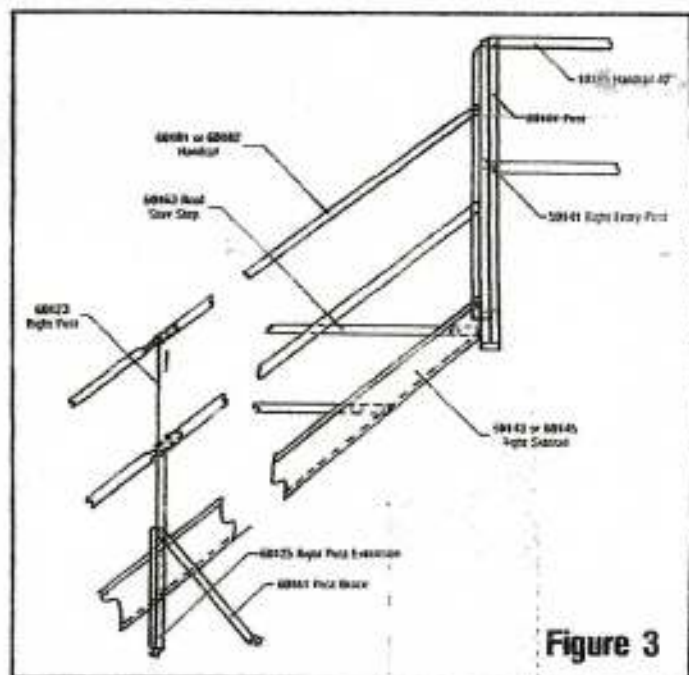


Figure 3