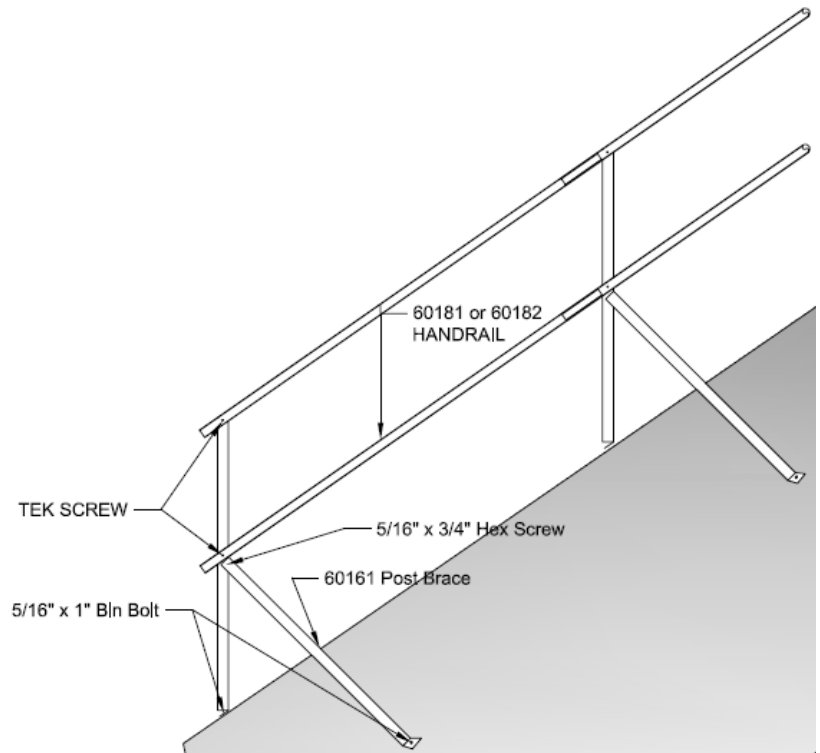


Roof Ladder Handrail Assembly

1. Starting at the eave of the roof, fasten the posts (60127 & 60128) to the roof on each side of the roof angles.
2. Plumb the posts and fasten the braces (60160 & 60162) to each post with 5/16" x 3/4" bolts. Fasten the braces to the roof with 5/16" x 1" bin bolts.
3. Using TEK SCREWS, secure the handrails (60181, or 60182) to the posts using the pre-punched hole in the handrail. At this time install both the top and intermediate handrails. **CAUTION: Do not over tighten the TEK SCREWS.**
4. Slip the second handrail over the first handrail with at least 2" of lap and fasten the handrail to the next post with a TEK SCREW.
5. Plumb the post and attach the brace, then continue up the roof, assembling the roof ladder handrails.
6. On applications where a manwalk is used at the top, fasten the posts to the manwalk and fasten the handrails to these posts.

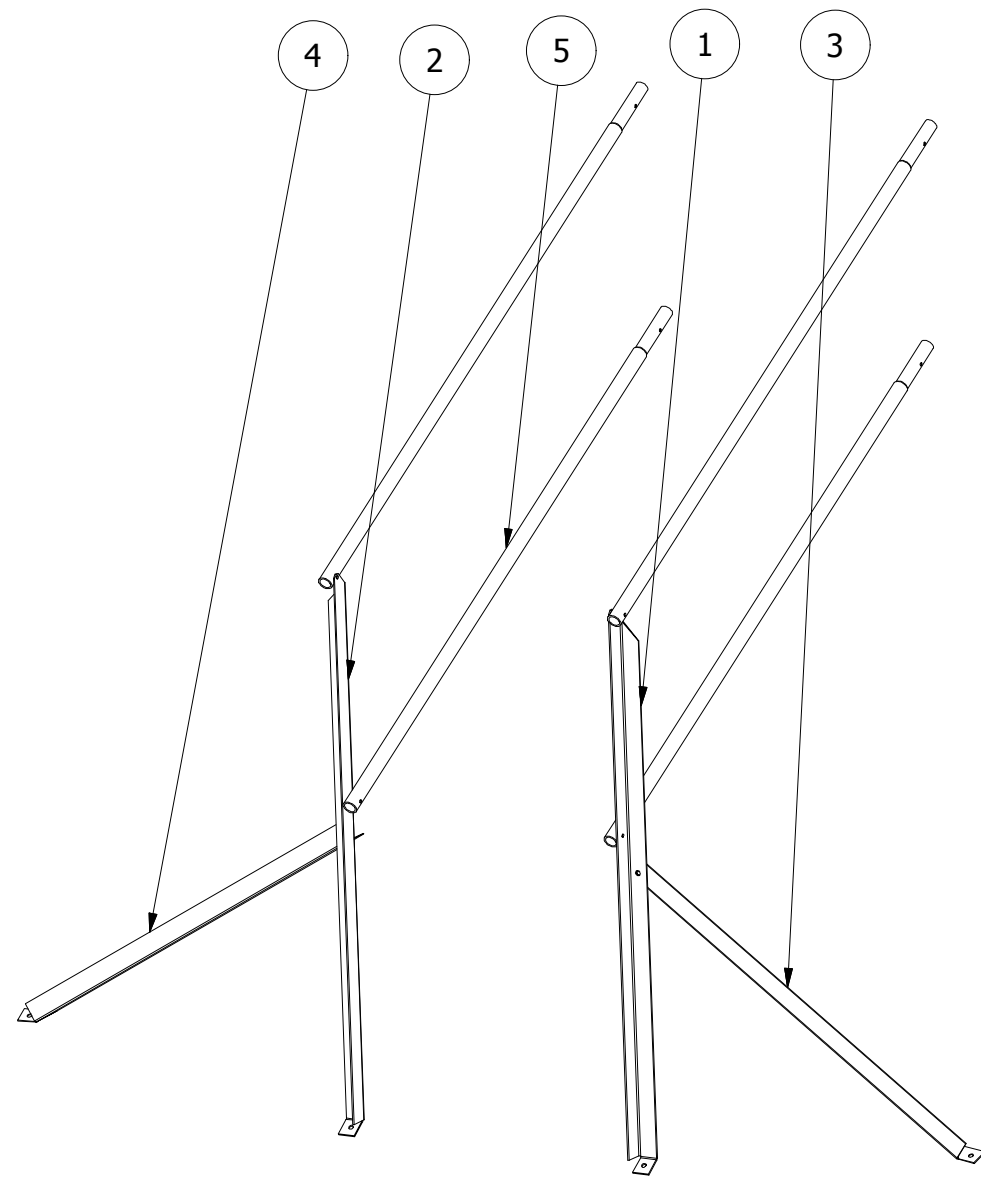


7. When a sidewall ladder is not used on the outside of the bin, a rail needs to be placed at the eave. The handrails that are removed to have access to the manhole can be fastened to the bottom posts. When this is done, use 5/16" x 1 1/2" bolts (not provided) to fasten the handrails to each point.
8. When the handrail is not fastened at the top of the bin to a solid object, there needs to be a horizontal brace put on to hold the handrail from scissoring up and down the roof. The brace to be used is an 80143 Peak Ring Brace (not a standard part in this package).

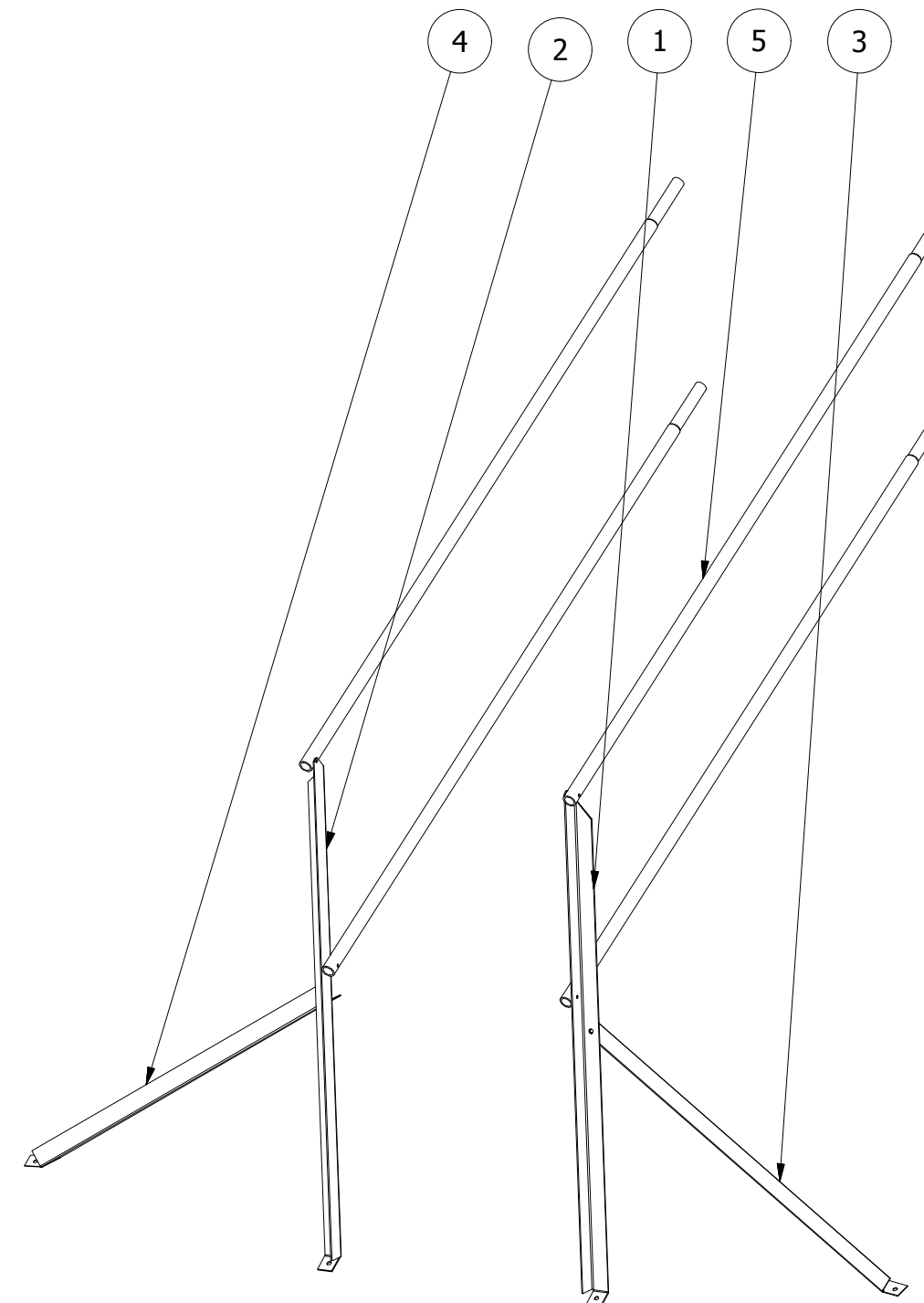
Roof Ladder Handrail



58000 4' Roof Ladder Handrail Parts List		
ITEM	QTY	PART NUMBER
1	1	60127 Roof Handrail Post right
2	1	60128 Roof Handrail Post left
3	1	60160 Roof Post Brace right
4	1	60162 Roof Post Brace left
5	4	60181 3 Roof Handrail

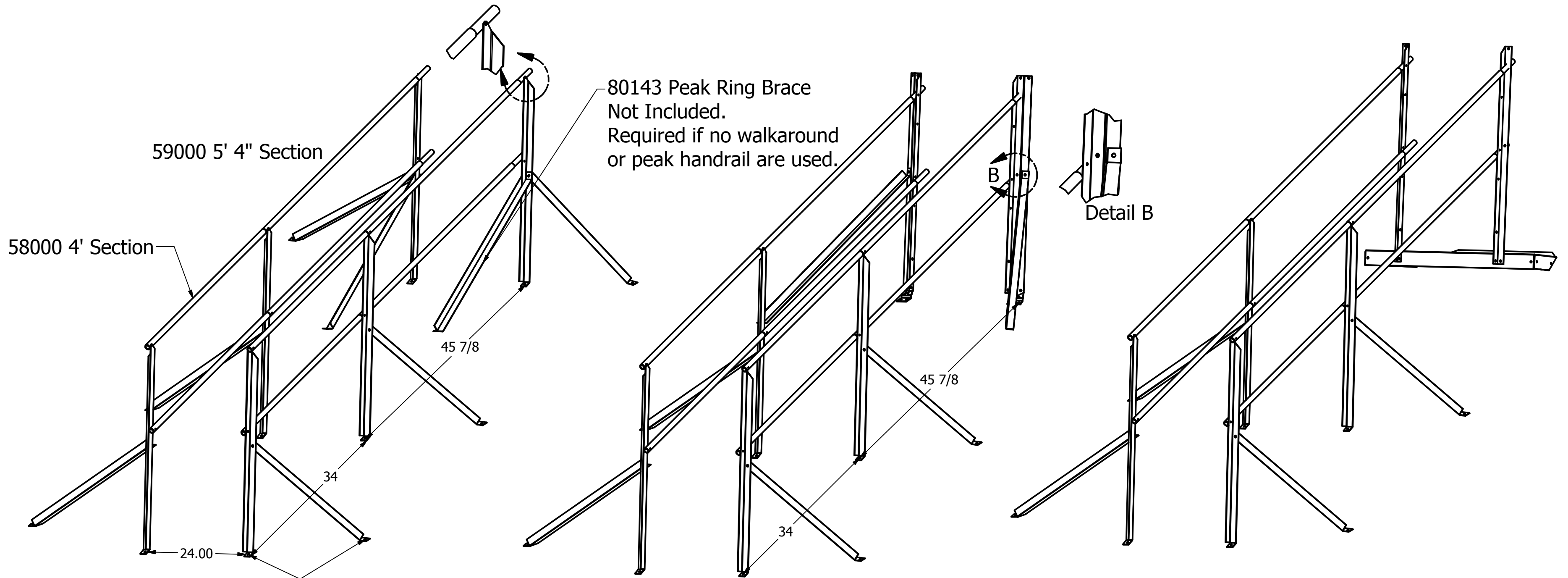


59000 5'4" Roof Ladder Handrail Parts List		
ITEM	QTY	PART NUMBER
1	1	60127 Roof Handrail Post right
2	1	60128 Roof Handrail Post left
3	1	60160 Roof Post Brace right
4	1	60162 Roof Post Brace left
5	4	60182 4 Roof Handrail

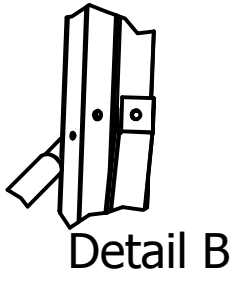


DRAWN Rex A Greene	12/29/2004	Greene Galvanized Stairs		
CHECKED		TITLE		
QA		Roof Ladder Handrail		
MFG		SIZE	DWG NO	REV
APPROVED		C	Roof Ladder Assy	
		SCALE	SHEET 2 OF 2	

NOTE: Handrail splices must overlap by 2" minimum and attached to the post at the splices.



80143 Peak Ring Brace
Not Included.
Required if no walkaround
or peak handrail are used.



Dimension varies with bin size.
Plumb posts and fasten bracing.

Caution: When no sidewall ladder or platform are used
an upper and intermediate rail must be bolted to the bottom post
to guard against exit of walk way.

24' Roof Ladder Handrail only

Place rails 24" apart.

If possible start with a 4' section on bottom.

Leave lower handrail out for access to manhole.

If roof ladder handrail is used
with no walkaround or peak handrail,
start from the bottom and work up.

24' Roof Ladder Handrail to Peak Handrail

If Peak Handrail is used, install it first and attach
the first section to it and work from the top down
to intall Roof Ladder Handrail.

24' Roof Ladder Handrail to Walkaround

When attaching to a Safety Walkaround, install it first,
then attach the first section of Roof Ladder Handrail
to it and work from the top down.

DRAWN Rex A Greene	12/29/2004	Greene Galvanized Stairs		
CHECKED		TITLE		
QA		Roof Ladder Handrail		
MFG		SIZE	DWG NO	REV
APPROVED		C	Roof Ladder Assy	
		SCALE	SHEET 1 OF 1	