

Roof Stair instructions

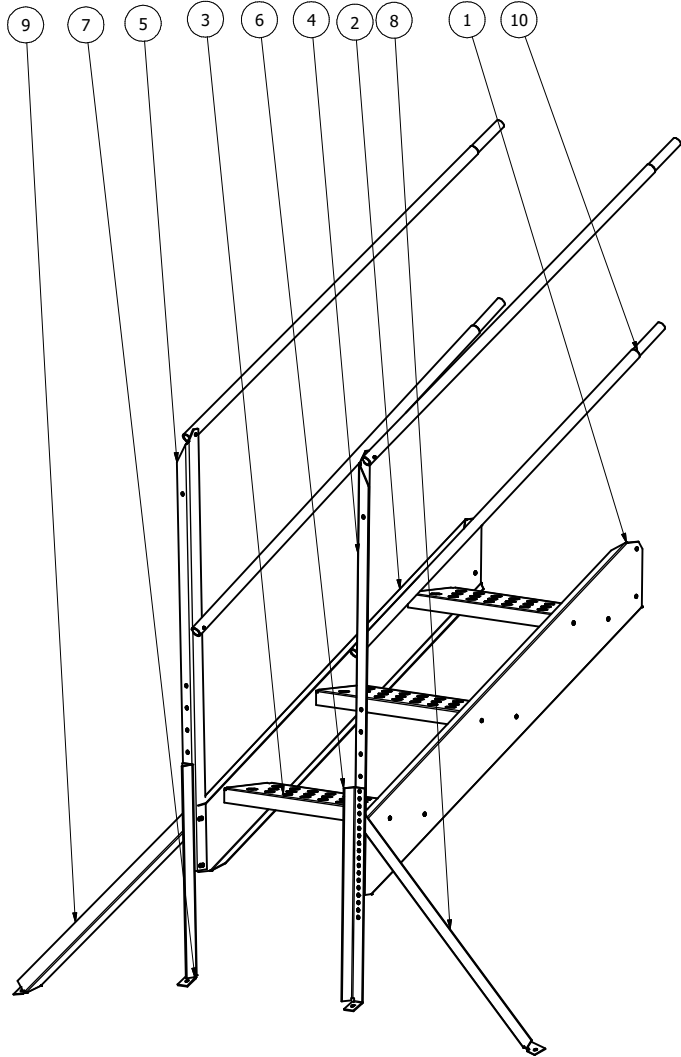
53000 3 step Roof stairs



www.greenebinstairs.com

GREENE

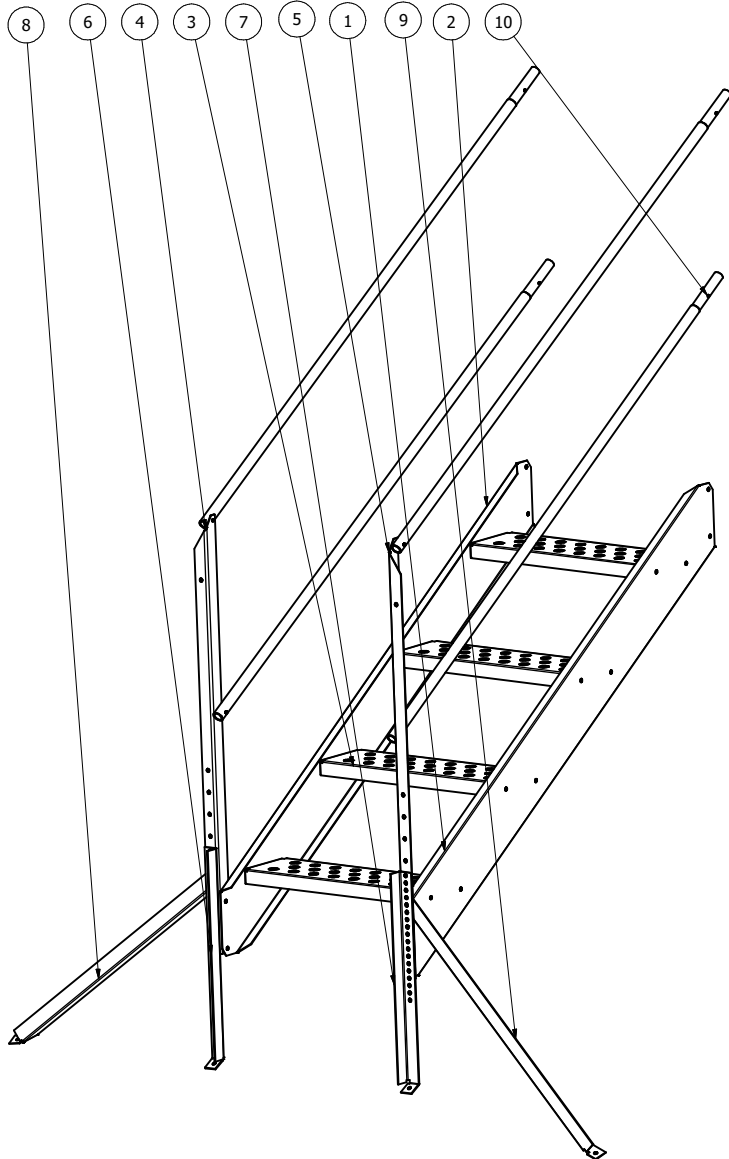
Welding & Hdw., Inc.
 41774 Main St.
 Box 191 • East Lynn, IL 60932
 217-375-4244 • Fax: 217-375-4245



Parts List			
ITEM	QTY	PART NUMBER	DESCRIPTION
1	1	60143	3step siderail right
2	1	60144	3step siderail left
3	3	60163	Roof Stair Step
4	1	60123	Roof Stair Post Right
5	1	60124	Roof Stair Post Left
6	1	60125	Roof Post Ext Right
7	1	60126	Roof Post Ext Left
8	1	60161	Post Brace Right
9	1	60162	Post Brace Left
10	4	60181	3 Roof Handrail

DRAWN Rex A Greene		1/4/2005	Greene Welding and Hard Inc.	
CHECKED			TITLE	
QA				
MFG				
APPROVED				
	SIZE C	DWG NO	REV	
	SCALE	Roof Stair Instructions 1 05		
			SHEET 1 OF 3	

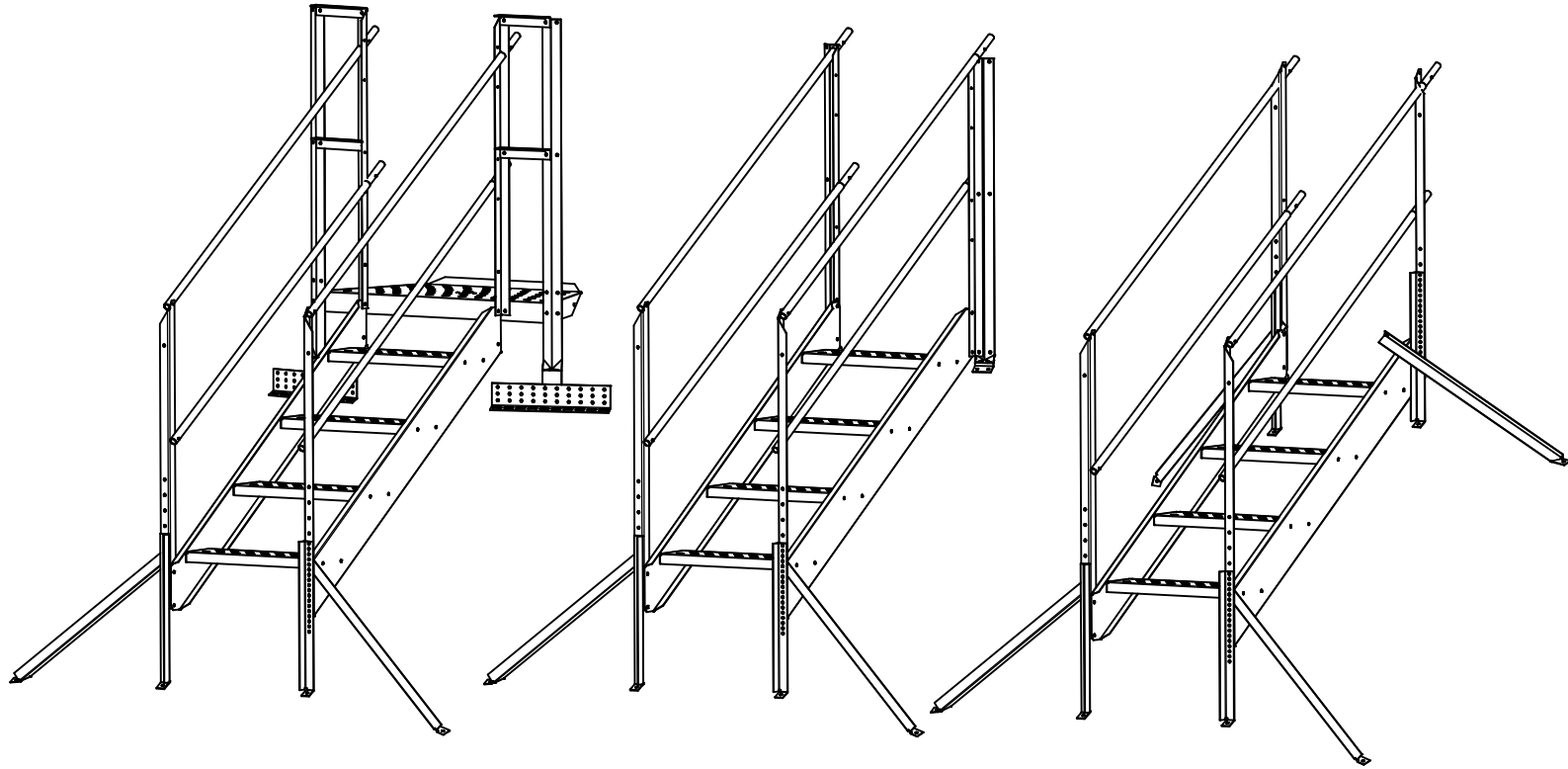
54000 4 step roof Stair



Parts List			
ITEM	QTY	PART NUMBER	DESCRIPTION
1	1	60145 4 step siderail right	
2	1	60146 4 step siderail left	
3	4	60163 Roof Stair Step	
4	1	60124 Roof Stair Post Left	
5	1	60123 Roof Stair Post Right	
6	1	60126 Roof Post Ext Left	
7	1	60125 Roof Post Ext Right	
8	1	60162 Post Brace Left	
9	1	60161 Post Brace Right	
10	4	60182 4 Roof Handrail	

DRAWN Rex A Greene		1/4/2005		Greene Welding and Hard Inc.	
CHECKED				TITLE	
QA					
MFG					
APPROVED					
		SIZE C	DWG NO	REV	
		SCALE		Roof Stair Instructions 1 05	
				SHEET 2 OF 3	

Plumb post when tightening. Attach Handrail from the bottom up using Stitch screws. Caution Do Not over tighten Stitch screws.



Roof Stairs to a Walkaround

The Roof Stairs need to be anchored on top with one of the three options.
 When installing a walkaround, install walkaround first, attach stairs to the lowest hole in the entry post. Attach sections as you work your way down. It is best if a 3 step is used at the bottom.
 Height of stairs can be adjusted by the holes in the Post and Post Extensions.

Roof Stairs to a Peak Handrail

When installing Roof Stairs to a Peak Handrail install the peak handrail first. Attach the Roof stairs to the entry post and work your way down.

Roof Stairs to a Top Post Package

When installing Roof Stairs with a top post package start at the eave of the bin and work your way up. If you need to get closer to the center of the bin use stairs for 3' bigger bin. Regular set will end 5' from center.

DRAWN Rex A Greene	1/4/2005	Greene Welding and Hard Inc.		
CHECKED		TITLE		
QA				
MFG				
APPROVED				
	SIZE C	DWG NO	REV	
	SCALE	Roof Stair Instructions 1 05		
		SHEET 3 OF 3		

Roof Stair Assembly

1. Assemble steps between siderails using (4) 5/16" x 3/4" bolts per step, through holes provided in siderails.
2. Fasten the upper stair section siderail to the entry posts using 5/16" x 3/4" bolts.
3. Fasten the next stair section to the lower end of the upper stair section using (4) 5/16" x 3/4" bolts. Also attach the left and right handrail posts at these lap joints.
4. Fasten post extensions to handrail posts finger tight, using (2) 5/16" x 3/4" bolts. **NOTE: Posts extensions may need to be adjusted later to properly align stair sections.**
5. Repeat steps 3 and 4 until all sections are installed
6. Using TEK SCREWS, (one per rail) secure the handrails to the handrail post starting at the bottom of the stairs with the reduced end of the rail pointing up. Slip the next handrail over the reduced portion of the lower handrail and secure handrail at that point with a TEK SCREW to the handrail post.

NOTE: Plumb post when attaching handrail.

7. After stair assembly is aligned and tightened, secure the post extensions to the roof with TEK SCREWS. **NOTE: Siderails should be kept as close as possible to the roof at the eave.**
8. Attach braces as near to the top end of the post extension as possible using 5/16" x 3/4" bolts. Use TEK SCREWS to secure the brace to the roof. **NOTE: Plumb post**

- TEK SCREW – A self drilling, self-tapping screw DO NOT OVER TIGHTEN TEK SCREWS!



Parts List

4'	5' 4"	Part #	Description
1	1	60123	Roof Stair Post Right 40"
1	1	60124	Roof Stair Post Left 40"
1	1	60125	Roof Post Extension Right 20"
1	1	60126	Roof Post Extension Left 20"
1	1	60161	Post Brace Right 35"
1	1	60162	Post Brace Left 35"
1		60143	3 Step Siderail Right 51.5"
1		60144	3 Step Siderail Left 51.5"
	1	60145	4 Step Siderail Right 67.5"
	1	60146	4 Step Siderail Left 67.5"
3	4	60163	Roof Stair Step
4		60181	3 Step Handrail 53.5"
	4	60182	4 Step Handrail 69"
1		60010	3 Step Hardware Package
	1	60011	4 Step Hardware Package