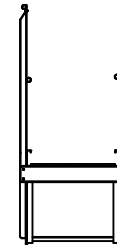
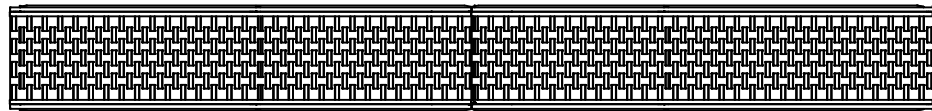


Parts List			
ITEM	QTY	PART NUMBER	DESCRIPTION
1	2	manwalk 120 derive	
2	2	6205 Splice Plate	
3	4	6210 10' Manwalk brace	
4	2	6213 Plate Brace	
5	5	6210 Manwalk Post R	
6	5	6211 Manwalk Post L	
7	4	6208 Post Brace	
8	8	HR1120	



DRAWN Rex A Greene	4/13/2005	Greene Welding and Hardware Inc. Greene Galvanized Stairs 217/375/4244 www.greenebinstairs.com		
CHECKED		TITLE		
QA		REV		
MFG		SIZE C	DWG NO 20' manwalk	
APPROVED		SCALE NA		SHEET 1 OF 1

# GREENE

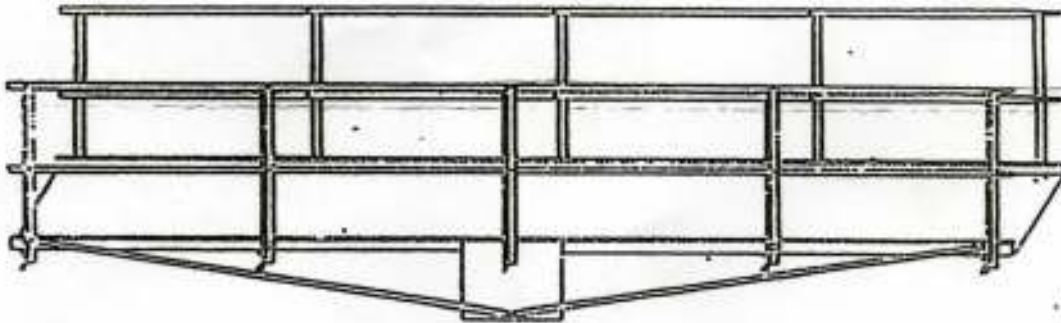
WELDING & HDW., INC.

BOX 191 • EAST LYNN, IL 60932 • 217-375-4244

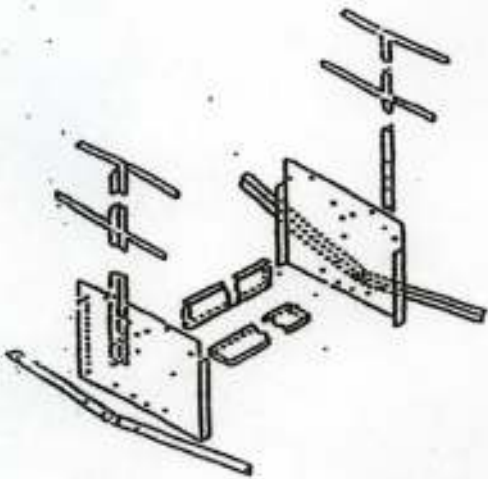
# Galvanized Stairs

COMMERCIAL AND FARM

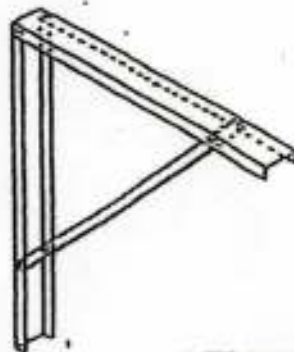
## MANWALK INSTALLATION INSTRUCTIONS



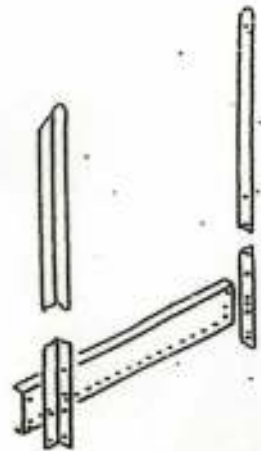
ASSEMBLED MANWALK



TRUSS PLATE ASSEMBLY



A-FRAME



POST ASSEMBLY

Note: All holes in the walkway are to be field drilled

Assemble the truss plate assembly and fasten it to the walkway keeping the two pieces of walkway straight. Find the desired length of the walkway, if cutting is required, cut equally from both ends of the walkway. Mount a post assembly 6" from each end of the walkway (if the end of the walkway is cut at an angle, the post assembly should be 6" from the shorter side of the walkway leaving 6" plus on the other side). Fasten one end of the truss brace to the truss plate assembly and the other end mounts next to the end post assembly, some cutting may be necessary. Place the intermediate post assembly between the end post assembly and the truss plate assembly sliding it toward the end post assembly and fasten unit to the walkway where it touches the truss brace. When fastening the handrails to the post use TEK screws keeping the splices of the handrails on the post (some cutting may be necessary).