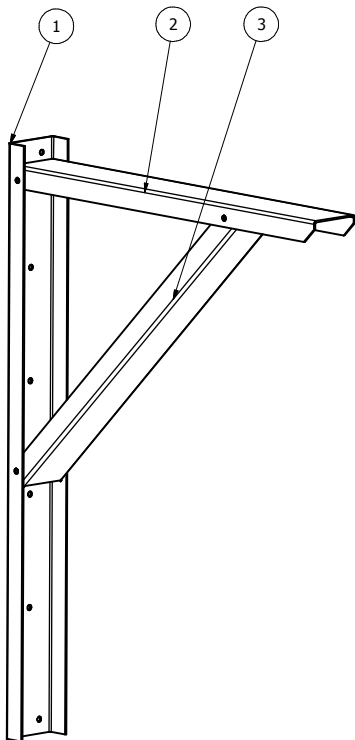


GREENE
GALVANIZED
STAIRS
 www.greenebinstairs.com

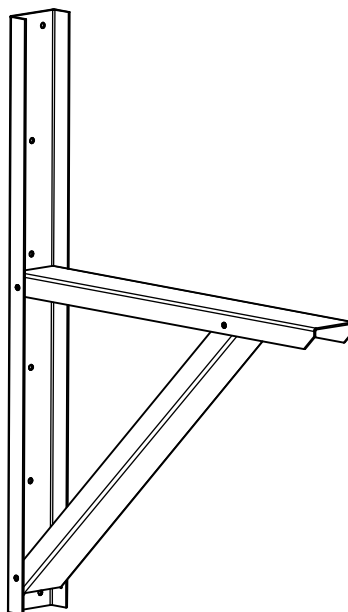
GREENE
Welding & Hdw., Inc.
 41774 Main St.
 Box 191 • East Lynn, IL 60932
 217-375-4244 • Fax: 217-375-4245

60036 A Frame

Cross bar high



Cross bar middle.



Parts List			
ITEM	QTY	PART NUMBER	DESCRIPTION
1	1	6203 A Frame Mount	
2	1	6201 A Frame Top	
3	1	6202 A Frame Brace	

DRAWN Rex A Greene	1/7/2005	Greene Welding and Hardware Inc. Greene Galvanized Stairs 217/375/4244 www.greenebinstairs.com		
CHECKED		TITLE		
QA				
MFG				
APPROVED				
		SIZE C	DWG NO 60036 A Frame	REV
		SCALE NA	SHEET 1 OF 1	