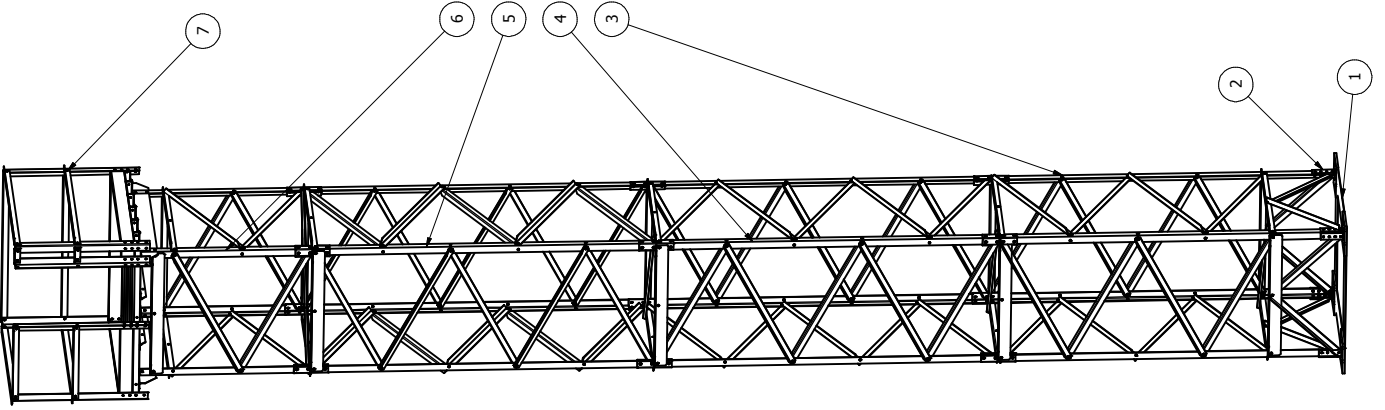
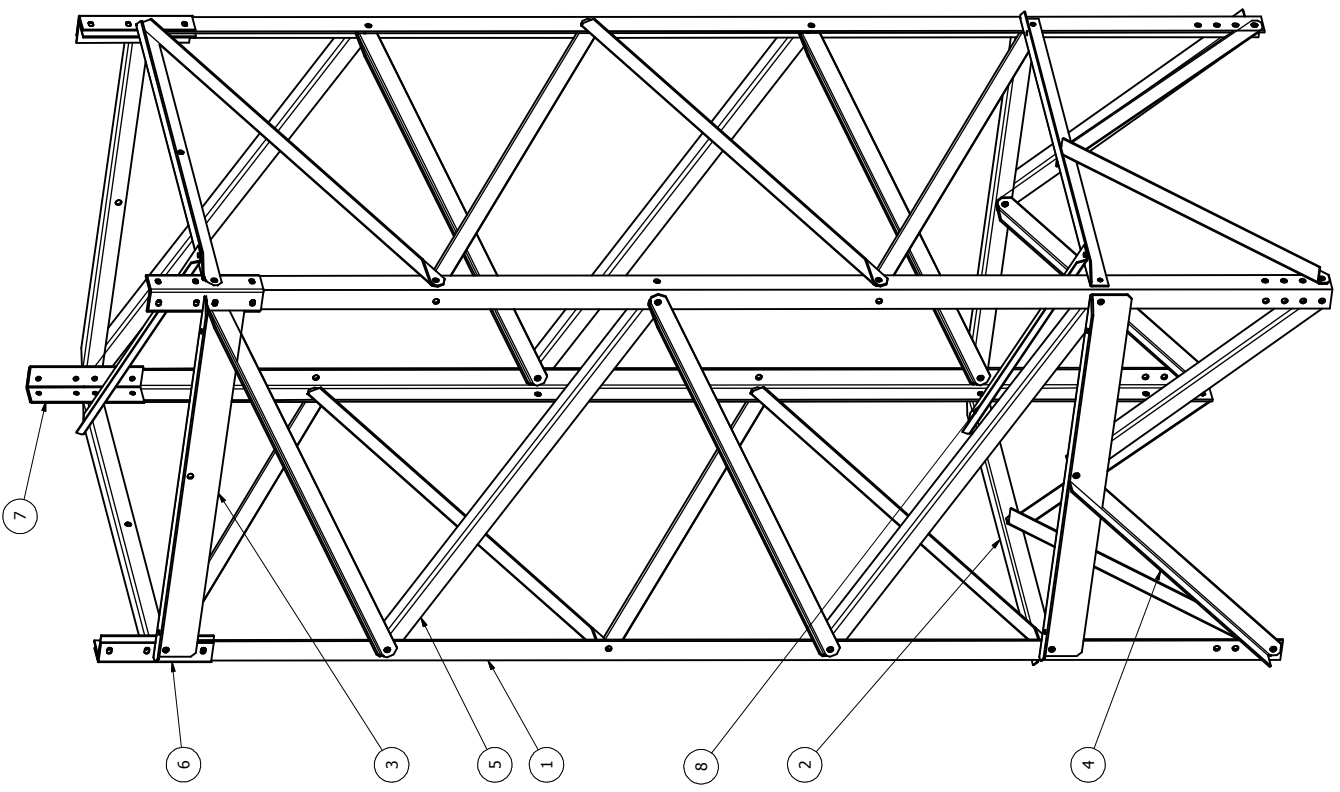


35 ft tower



Parts List			
ITEM	QTY	PART NUMBER	DESCRIPTION
1	1	Template assy	
2	4	66-B001 Base weldments	
3	1	1/4 base section	
4	1	10 ft 3/16 tower	
5	1	10 ft 3/16 tower odd	
6	1	5 ft 3/16 tower even	
7	1	5 x 5 top deck	

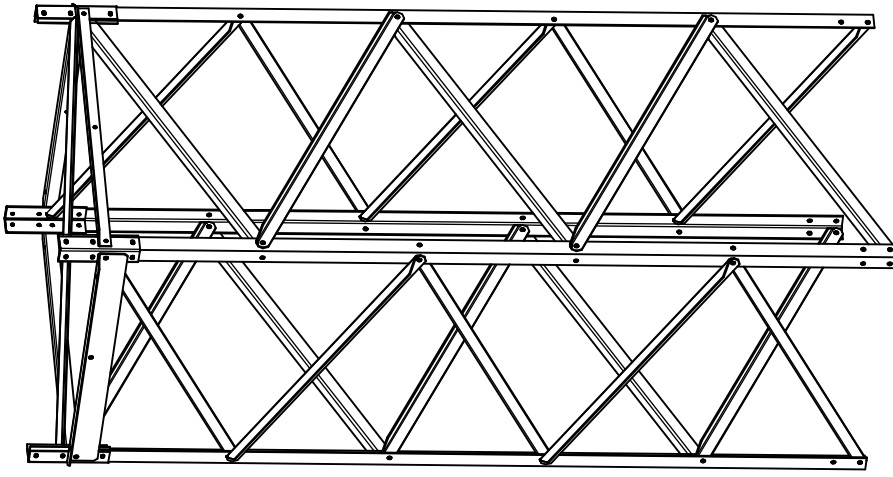
DRAWN Rex A Greene	7/11/2006	Greene Welding and Hardware Inc. Greene Galvanized Stairs 217/375/4244 www.greenebinstairs.com	
MFG		TITLE	
APPROVED		SIZE C	DWG NO 35 ft tower ins
			REV
			1



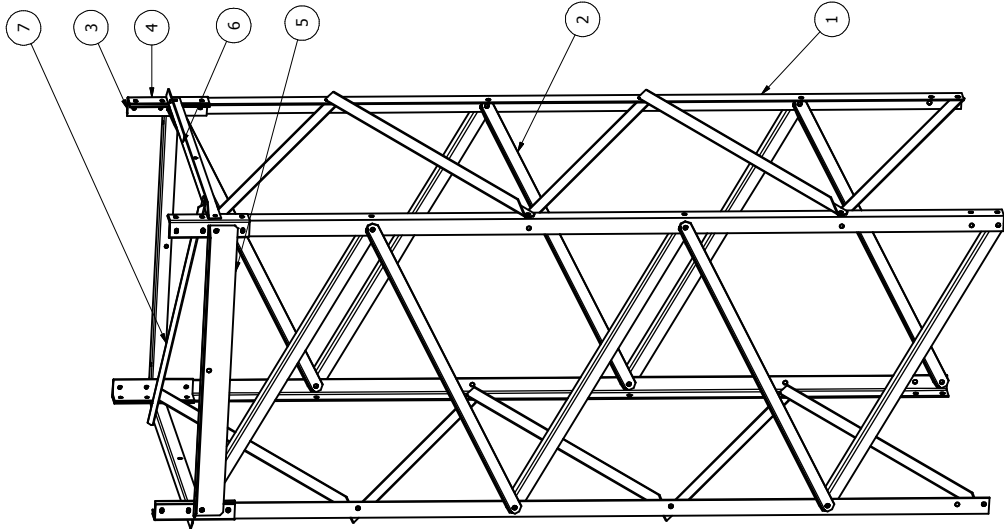
Parts List

ITEM	QTY	PART NUMBER	DESCRIPTION
1	4	SR2410 1/4	base siderail 120 x 2.5 x 2.5 x 1/4
2	6	64-C001	cross angle 46.75 x 2 x 2 x 8 ga
3	2	64-LC002	Ladder Cross bar 46.75 x 2 x 4.375 x 8 ga
4	8	64-D201	Base Diagonal 34.375 x 2 x 2 x 8 ga
5	16	64-D202	Diagonal 52.5 x 2 x 2 x 8 ga
6	4	SS2008	Siderail Splice 12 x 2.5 x 2.5 x 8 ga
7	8	SS0018	Siderail splice 8 ga 12 x 2 x 8 ga
8	2	64-T001	tie brace 65.5 x 2 x 1 x 8 ga

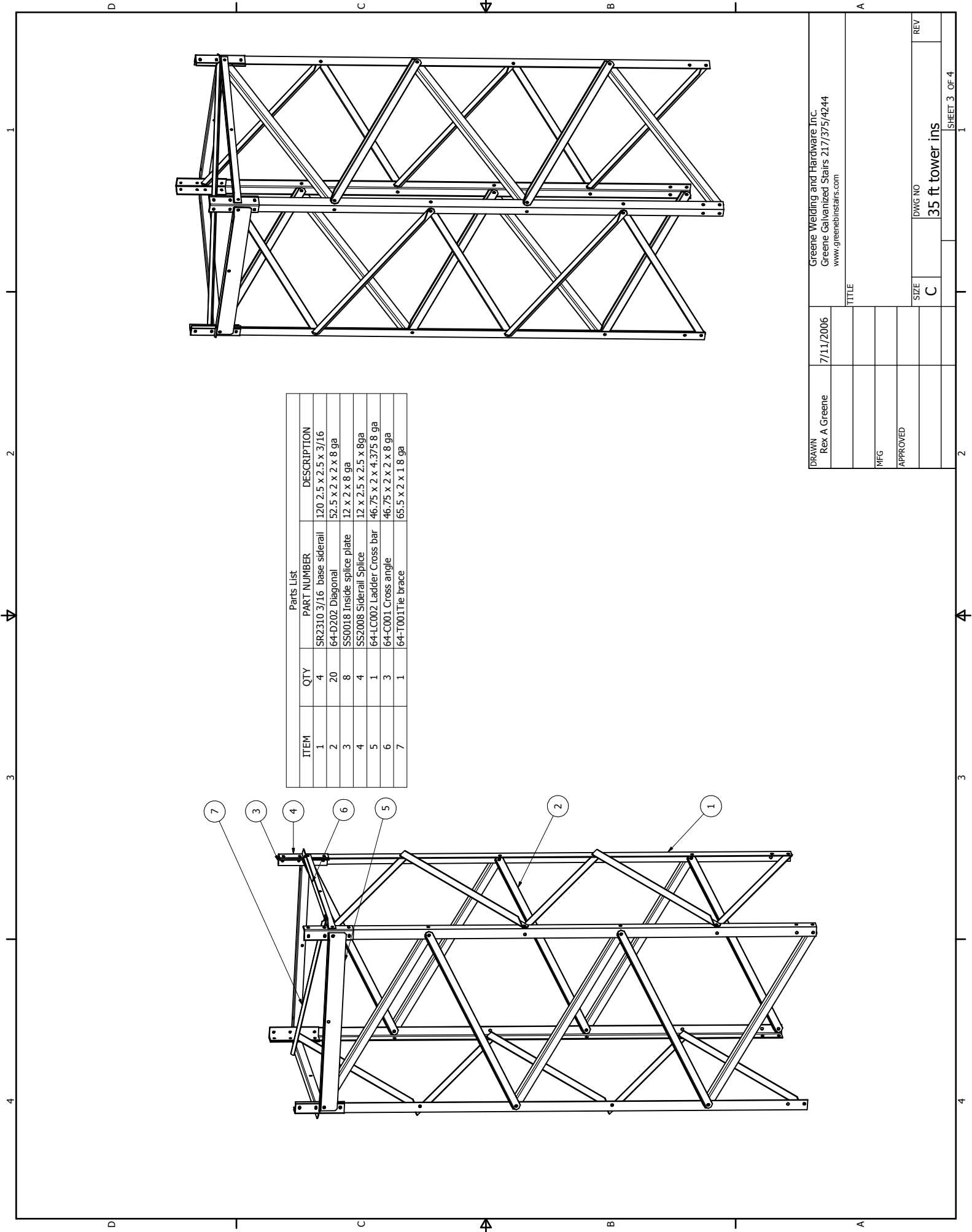
DRAWN Rex A Greene	7/11/2006	Greene Welding and Hardware Inc. Greene Galvanized Stairs 217/375/4244 www.greeneinstairs.com	
MFG		TITLE	
APPROVED		SIZE C	DWG NO 35 ft tower ins
		REV	1



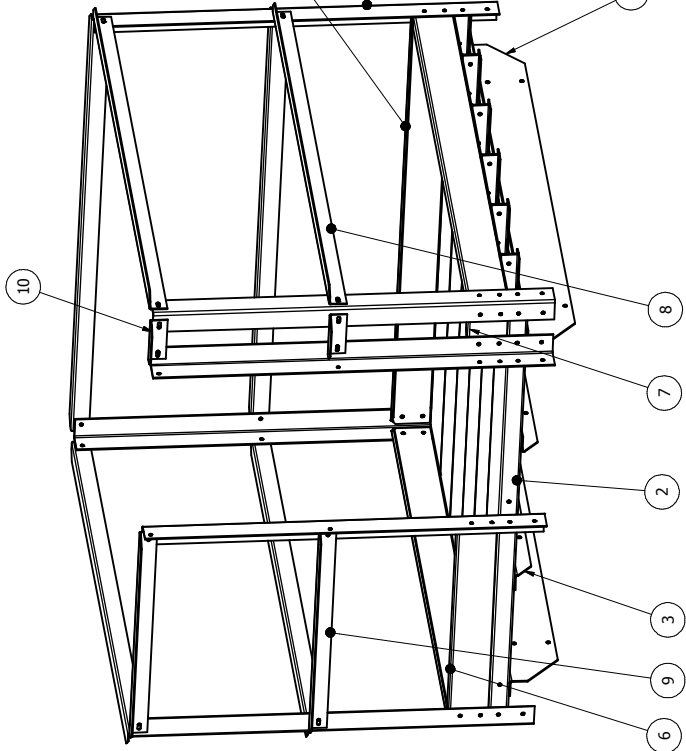
Parts List			
ITEM	QTY	PART NUMBER	DESCRIPTION
1	4	SR2310 3/16 base siderail	120 2.5 x 2.5 x 3/16
2	20	64-D202 Diagonal	52.5 x 2 x 2 x 8 ga
3	8	SS0018 Inside splice plate	12 x 2 x 8 ga
4	4	SS2008 Siderail Splice	12 x 2.5 x 2.5 x 8ga
5	1	64-LC002 Ladder Cross bar	46.75 x 2 x 4.375 8 ga
6	3	64-C001 Cross angle	46.75 x 2 x 2 x 8 ga
7	1	64-T001Tie brace	65.5 x 2 x 1 8 ga



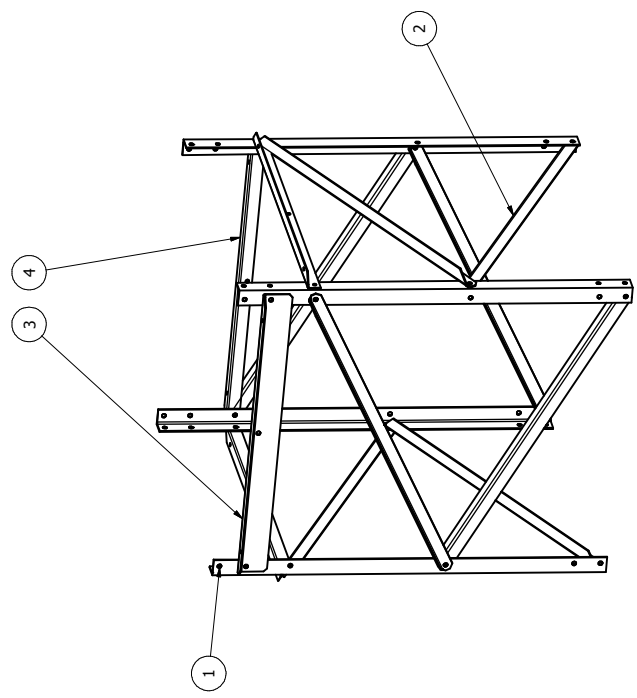
DRAWN Rex A Greene	7/11/2006	Greene Welding and Hardware Inc. Greene Galvanized Steels 217/375/4244 www.greenebins.com	
		TITLE	
MFG			
APPROVED			
		SIZE C	DWG NO 35 ft tower ins
		REV	REV



Parts List		
ITEM	QTY	DESCRIPTION
1	2	64-TD0001 mount flange
2	6	64-TD501 5' deck plate
3	2	64-TD009 Deck support
4	6	64-TD502 plat post
5	3	64-TD503 5' kickboard
6	1	64-TD506 Mid Kickboard
7	1	64-TD508 Short Kickboard
8	6	64-TD005 5' handrail
9	2	28.5 x 2 x 2 x 12 ga
10	2	5 x 2 x 2 x 12 ga



Parts List		
ITEM	QTY	DESCRIPTION
1	4	SR2305 3-16 base siderail
2	8	64-D202 Diagonal
3	1	64-LC002 Ladder Cross bar
4	3	64-C001 Cross angle



DRAWN Rex A Greene	7/11/2006	Greene Welding and Hardware Inc. Greene Galvanized Stairs 217/375/4244 www.greeneinstairs.com
MFG	TITLE	
APPROVED	SIZE C	DWG NO 35 ft tower ins
	REV	REV