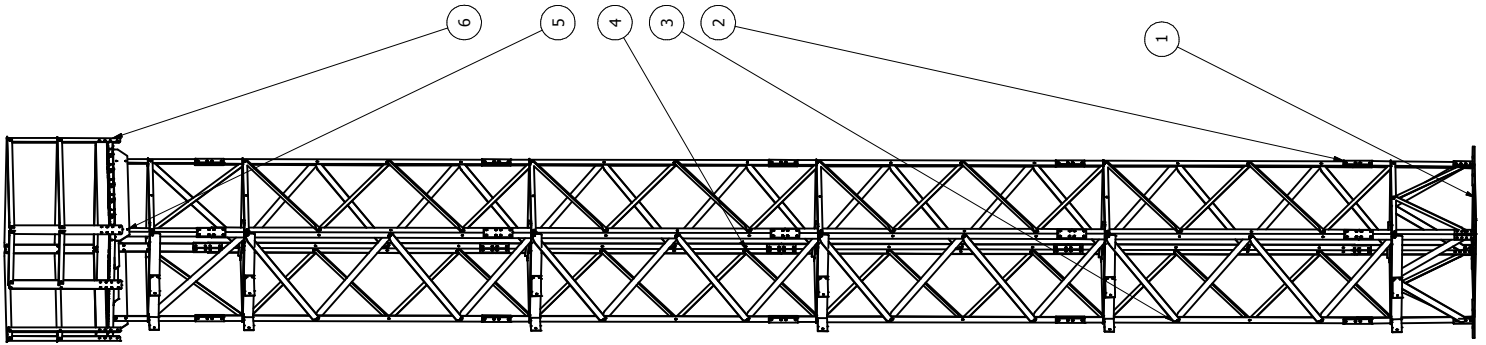


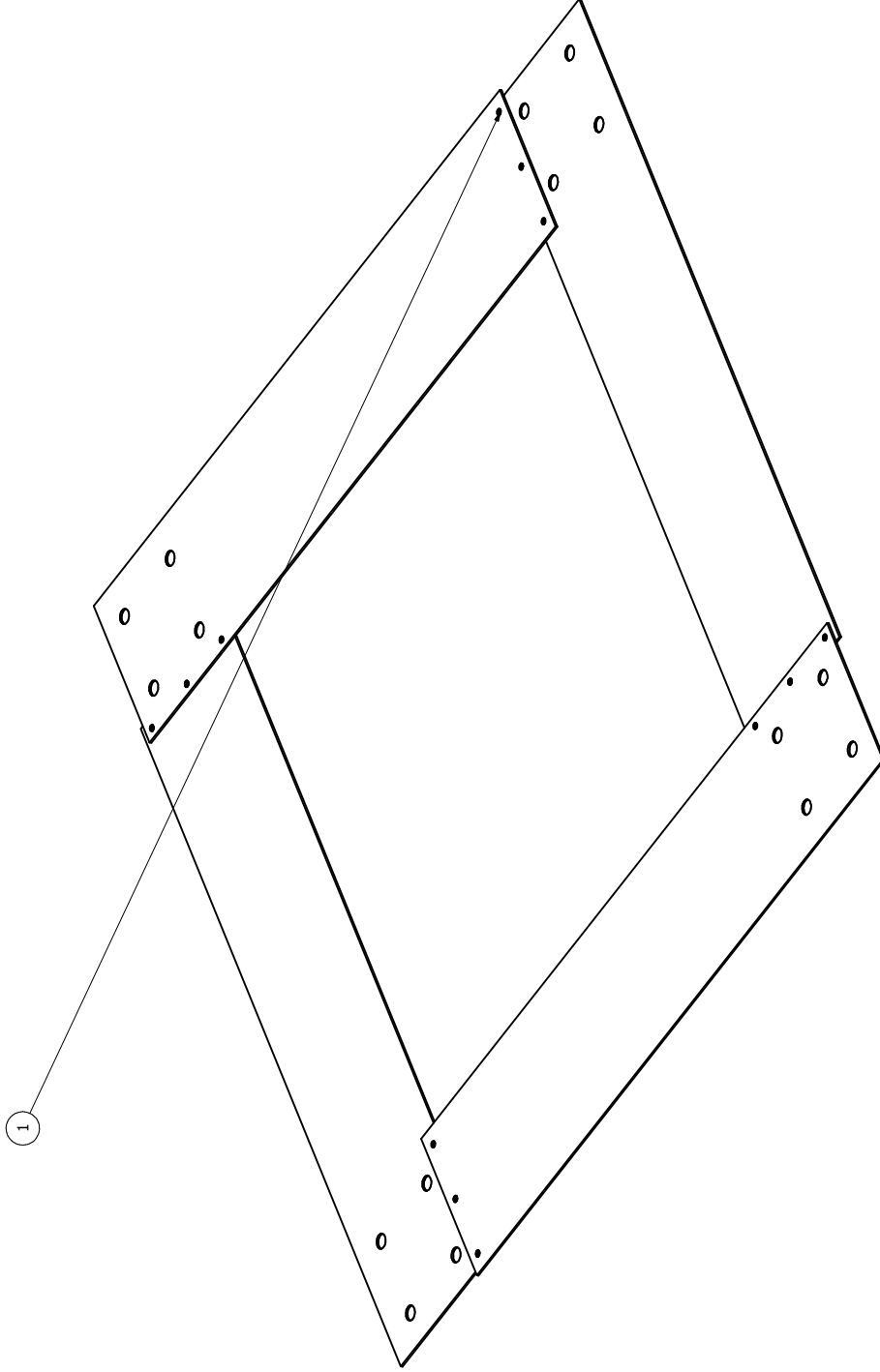
64471 47.5' Tower



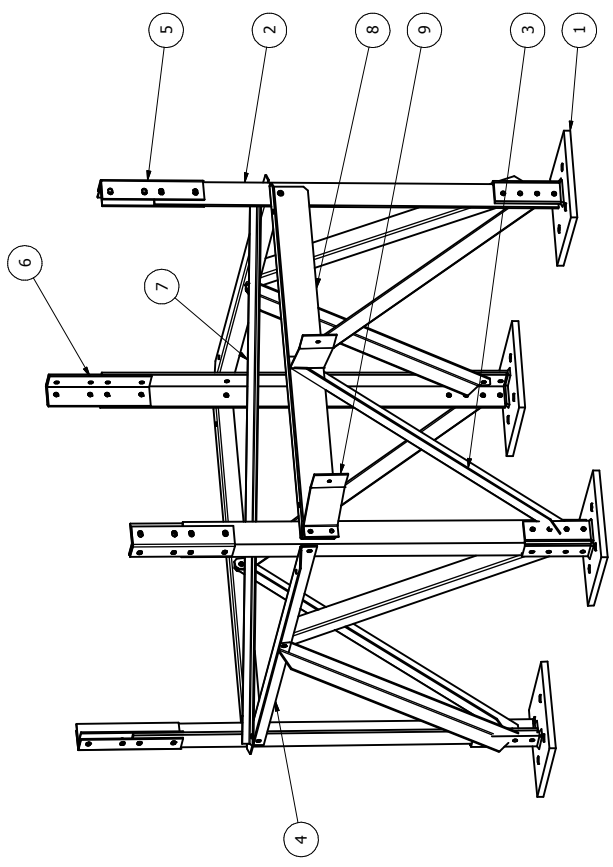
Parts List			
ITEM	QTY	PART NUMBER	DESCRIPTION
1	1	Template assy	
2	1	44504 5-16 base section	
3	2	44410 10 ft int section	
4	2	44310 10 ft int section	
5	1	43304 40 in top section	
6	1	64550 5 x 5 top deck assy	

DRAWN Rex A Greene	8/23/2006	Greene Welding and Hardware Inc. Greene Galvanized Stairs 217/375/4244 www.greenebinstairs.com
TITLE		
MFG		
APPROVED		
SIZE C	DWG NO 47 5 foot assy	REV

Parts List			
ITEM	QTY	PART NUMBER	DESCRIPTION
1	4	Anchor template 48	47x10x12ga
2	14	3/8" x 3/4 cap screws	
3	14	3/8 nuts	

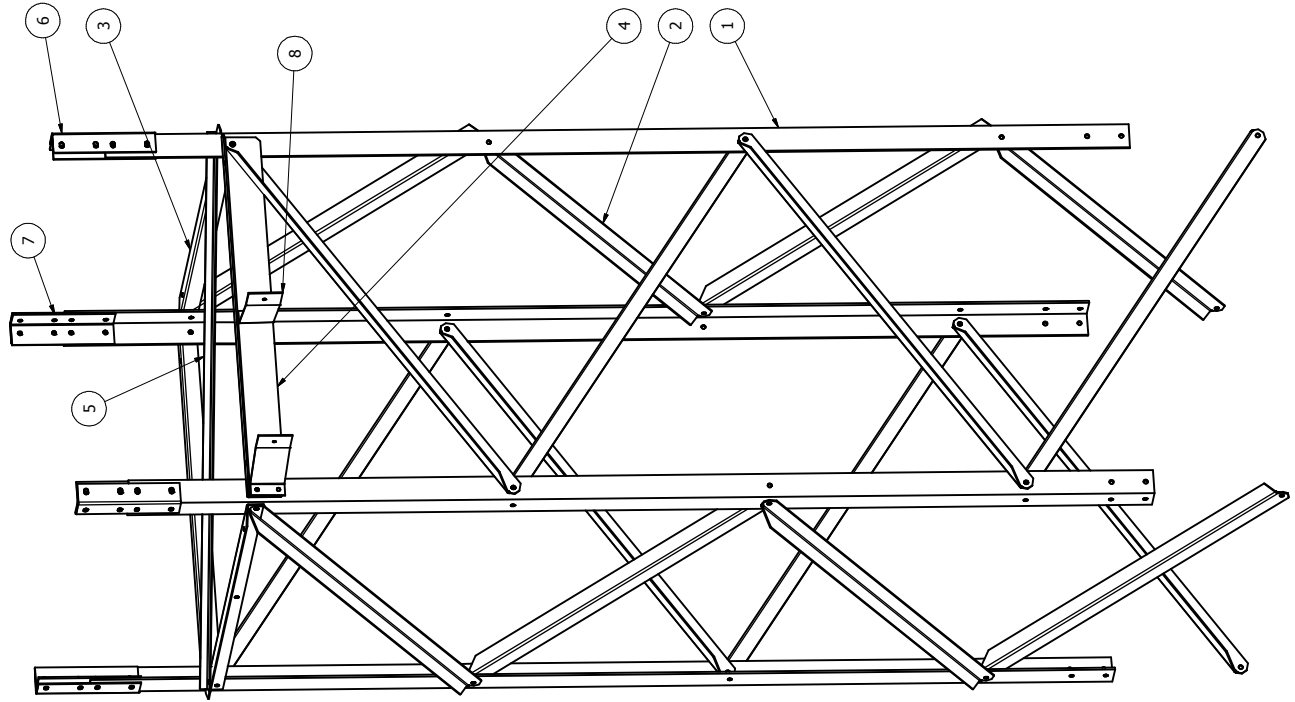


DRAWN Rex A Greene	8/23/2006	Greene Welding and Hardware Inc. Greene Galvanized Stairs 217/375/4244 www.greenebinstairs.com
TITLE		
MFG		
APPROVED		
SIZE C	DWG NO 47 5 foot assy	REV



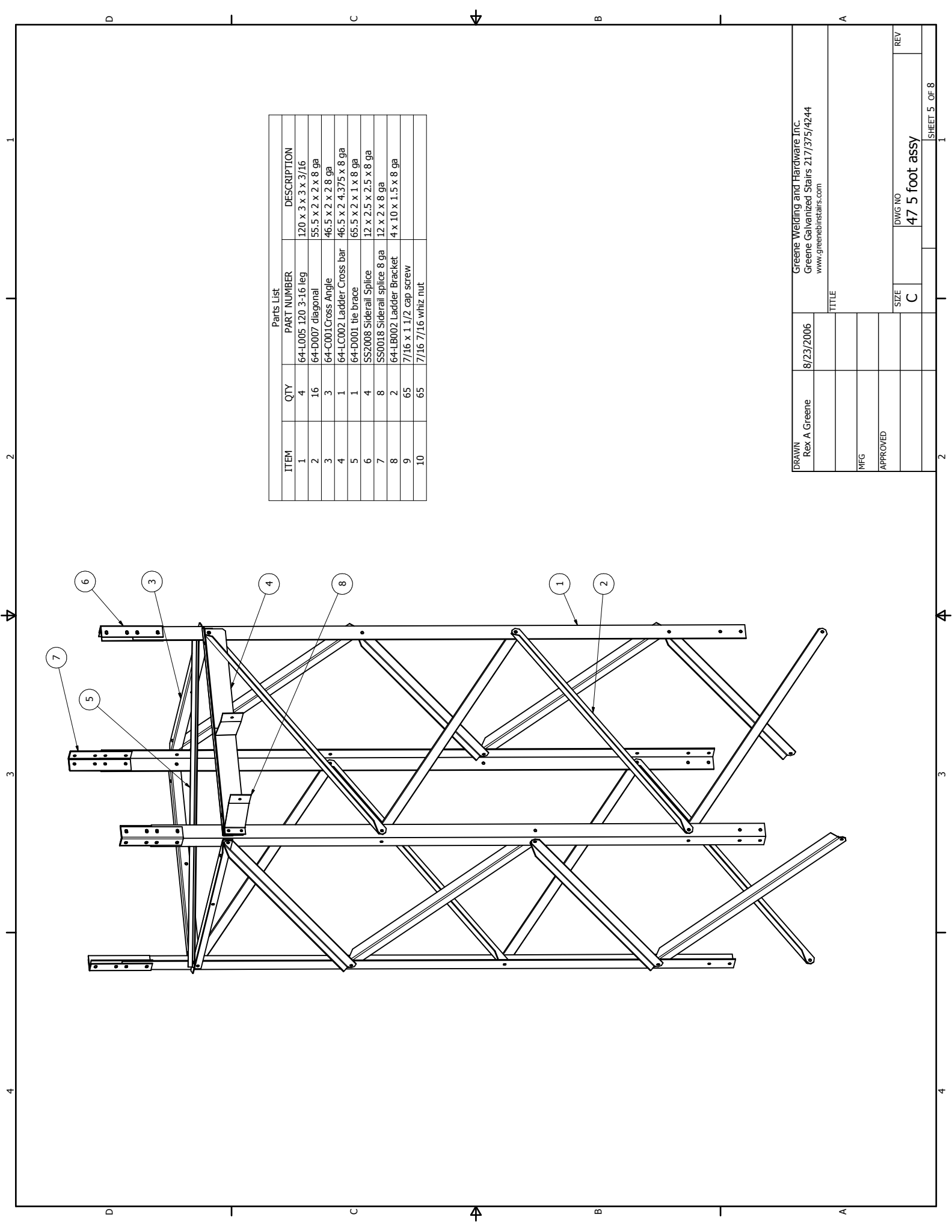
Parts List		
ITEM	QTY	PART NUMBER DESCRIPTION
1	4	66-B001 Anchor assy
2	4	64-L001 Base leg -3125 47.5 x 3 x 3 x 5/16 angle
3	8	64-D001 short base diag 39.5 x 2 x 1 x 8 ga angle
4	3	64-C001 Cross angle 46.75 x 2 x 2 x 8 ga
8	1	64-LC002 Ladder Cross bar 49.75 x 2 x 4.375 x 8 ga
5	4	SS2008 Siderail Splice 12.5 x 2.5 x 8 ga
6	8	SS018 Siderail splice 8 ga 12 x 2 x 8 ga
7	1	64-T001 tie brace 65.5 x 2 x 1 x 8 ga
9	2	64-LB002 Ladder Bracket 4 x 10 x 1.5 x 12 ga
10	65	7/16 x 1 1/2 cap screw
11	65	7/16 whiz nut

DRAWN Rex A Greene	8/23/2006	Greene Welding and Hardware Inc. Greene Galvanized Steels 217/375/4244 www.greenebins.com
MFG		TITLE
APPROVED		
	SIZE C	DWG NO 47 5 foot assy
		REV



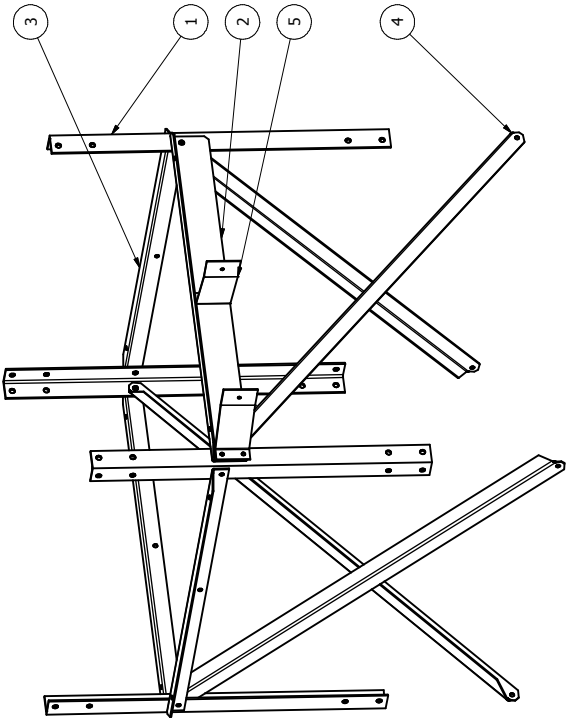
Parts List			
ITEM	QTY	PART NUMBER	DESCRIPTION
1	4	64-L007 120 1-4 leg	120 x 3 x 3 x 1/4
2	16	64-D007 diagonal	55.5 x 2 x 2 x 8 ga
3	3	64-C001 cross angle	46.75 x 2 x 2 x 8 ga
4	1	64-LC002 Ladder Cross bar	46.75 x 2 x 4.375 x 8 ga
5	1	64-D001 tie brace	65.6 x 2 x 1 x 8 ga
6	4	SS2008 Siderail Splice	12 x 2.5 x 2.5 x 8 ga
7	8	SS0018 Siderail splice 8 ga	12 x 2 x 8 ga
8	2	64-LB002 Ladder Bracket	4 x 10 x 1.5 12 ga
9	65	7/16 x 1 1/2 cap screw	
10	65	7/16 whiz nut	

DRAWN Rex A Greene	8/23/2006	Greene Welding and Hardware Inc. Greene Galvanized Stairs 217/375/4244 www.greeneinstairs.com	
MFG		TITLE	
APPROVED		SIZE C	DWG NO 47 5 foot assy
			REV



Parts List			
ITEM	QTY	PART NUMBER	DESCRIPTION
1	4	64-L005 120 3-16 leg	120 x 3 x 3 x 3/16
2	16	64-D007 diagonal	55.5 x 2 x 2 x 8 ga
3	3	64-C001 Cross Angle	46.5 x 2 x 2 x 8 ga
4	1	64-LC002 Ladder Cross bar	46.5 x 2 x 4.375 x 8 ga
5	1	64-D001 tie brace	65.5 x 2 x 1 x 8 ga
6	4	SS2008 Siderail Splice	12 x 2.5 x 2.5 x 8 ga
7	8	SS0018 Siderail splice 8 ga	12 x 2 x 8 ga
8	2	64-LB002 Ladder Bracket	4 x 10 x 1.5 x 8 ga
9	65	7/16 x 1/2 cap screw	
10	65	7/16 7/16 whiz nut	

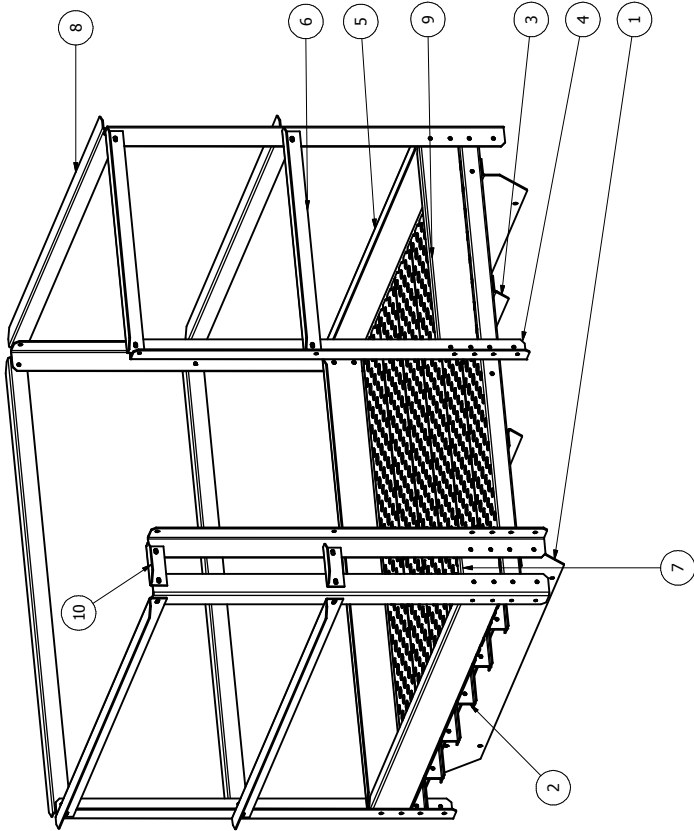
DRAWN Rex A Greene	8/23/2006	Greene Welding and Hardware Inc. Greene Galvanized Stairs 217/375/4244 www.greenebinstairs.com	
		TITLE	
MFG			
APPROVED			
		SIZE C	DWG NO 47.5 foot assy
			REV



Parts List			
ITEM	QTY	PART NUMBER	DESCRIPTION
1	4	64-L003 40 3-16 leg	40 x 2.5 x 2.5 3/16
2	1	64-LC002 Ladder Cross bar	46.75 x 2 x 4.375 x 8 ga
3	3	64-C001 cross angle	46.75 x 2 x 2 x 8 ga
4	4	64-D018 diagonal	61.5 x 2 x 2 x 8 ga
5	2	64-LB002 Ladder Bracket	4 x 10 x 1.5 x 12 ga
6	12	7/16 x 1 1/2 cap screw	
7	12	7/16 whiz nut	

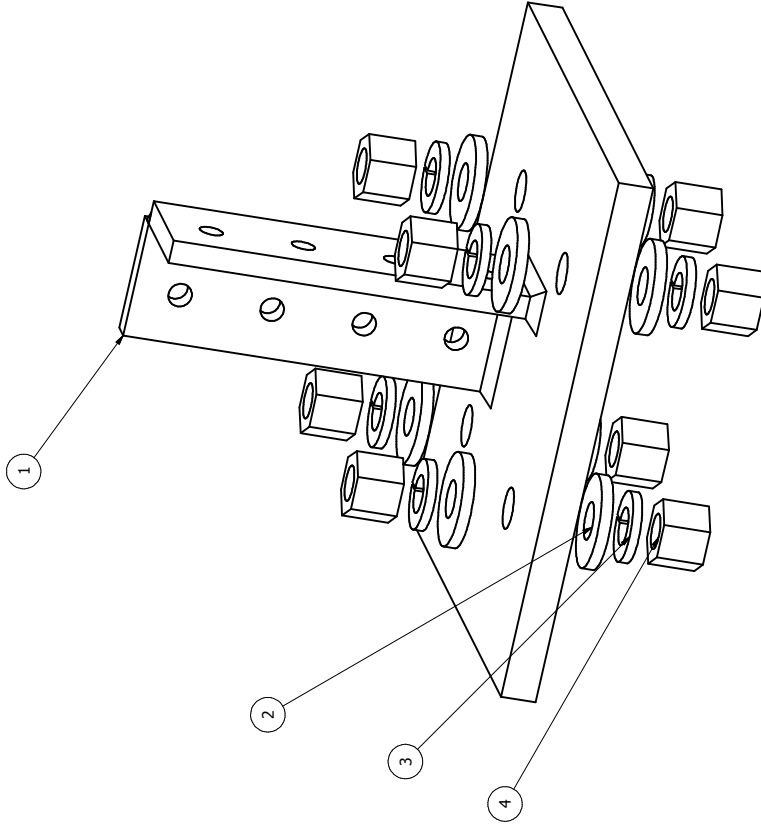
DRAWN Rex A Greene	8/23/2006	Greene Welding and Hardware Inc. Greene Galvanized Stairs 217/375/4244 www.greeneinstairs.com	
MFG		TITLE	
APPROVED		SIZE C	DWG NO 47 5 foot assy
		REV	

Parts List			
ITEM	QTY	PART NUMBER	DESCRIPTION
1	2	64-TD0001 Mount Flange	60 x 6 x 2 x 8 ga
2	6	64-TD501 5ft deck	59.5 x 10 deck
3	2	64-TD009 Deck support	60 x 2 x 2 x 12 ga
4	6	64-TD502 Plat Post	47 x 2.5 x 2.5 x 10 ga
5	3	64-TD503 5' Kickboard	59 x 4.5 x 1.5 x 12 ga
6	2	64-TD205 Mid Handrail	29 x 4.5 x 1.5 x 12 ga
7	1	64-TD508 Short Kickboard	5.5 x 4.5 x 1.5 x 12 ga
8	6	64-TD005 5' handrail	58.5 x 2 x 2 x 12 ga
9	1	64-TD506 Mid Kickboard	28.5 x 2 x 2 x 12 ga
10	2	64-TD507 Short Handrail	5 x 2 x 2 x 12 ga
11	120	5/16 x 3/4 cap screw	
12	120	5/16 whiz nut	
13	60	5/16 Flat washer	



DRAWN Rex A Greene	8/23/2006	Greene Welding and Hardware Inc. Greene Galvanized Stairs 217/375/4244 www.greeneinstairs.com
MFG		TITLE
APPROVED		
	SIZE C	DWG NO 47.5 foot assy
		REV

Parts List			
ITEM	QTY	PART NUMBER	DESCRIPTION
1	1	64-AB001	Anchor base
2	8	3-4	Heavy washer
3	8	3-4	lock washer
4	8	3-4	nut



DRAWN Rex A Greene	8/23/2006	Greene Welding and Hardware Inc. Greene Galvanized Stairs 217/375/4244 www.greeneinstairs.com
MFG		TITLE
APPROVED		
		DWG NO
		47.5 foot assy
		REV
		SIZE C