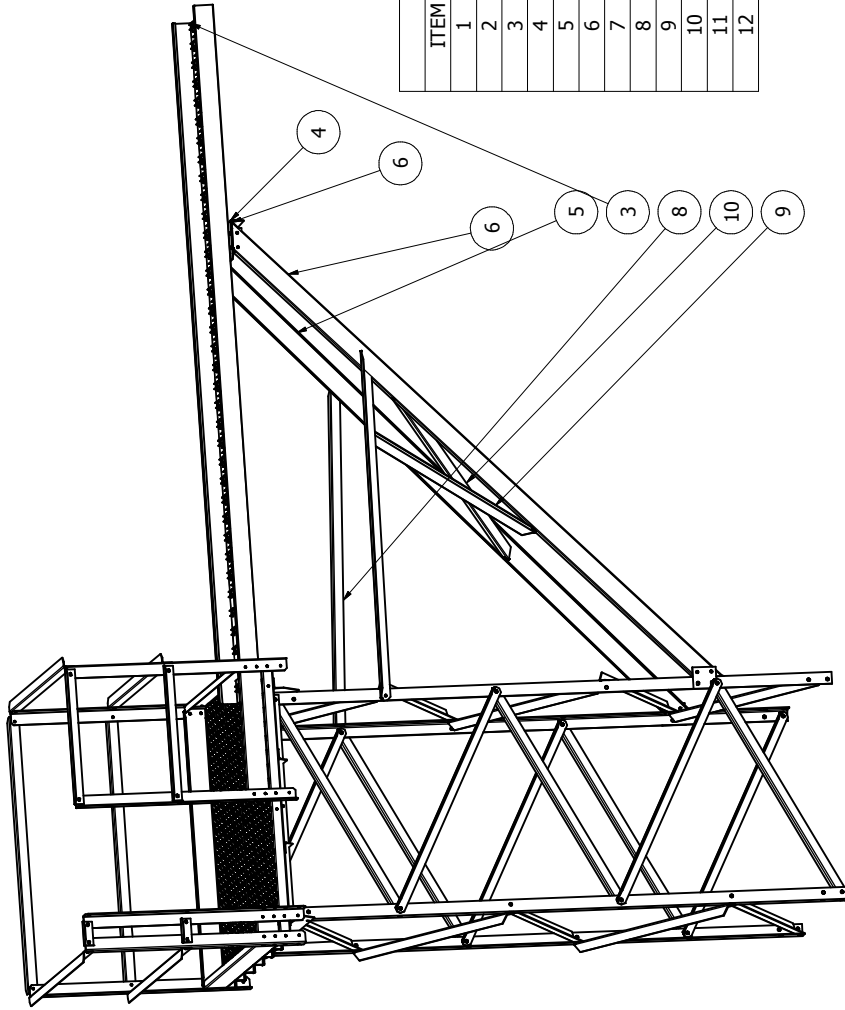


MB212 12' Manwalk and support



Parts List			
ITEM	QTY	PART NUMBER	DESCRIPTION
1	1	64550	5 x 5 top deck assy
2	1	10 ft 3	16 10 ft tower odd
3	1	12	Manwalk deck
4	1	MB0003	Manwalk Mount
5	1	MB0001	Manwalk Brace
6	1	MB0002	Manwalk brace short
7	2	MB0005	mounting tab 90 deg
8	2	MB0010	Manwalk brace
9	1	MB0009	Diagonal brace
10	1	MB0019	Diagonal brace
11	1	MB0004	Mounting tab flat
12	1	MB0006	Mounting tab 14 dg

DRAWN Rex A Greene	7/14/2006	Greene Welding and Hardware Inc. Greene Galvanized Stairs 217/375/4244 www.greenebstairs.com
MFG		TITLE
APPROVED		
	SIZE C	DWG NO MANWALK 48 TOWER2
	REV	REV

1 2 3 4

D C B A

1 2 3 4

1 2 3 4